



PARTS CATALOG

Published

2009/6 (Jun.)

0CNP4-G48100

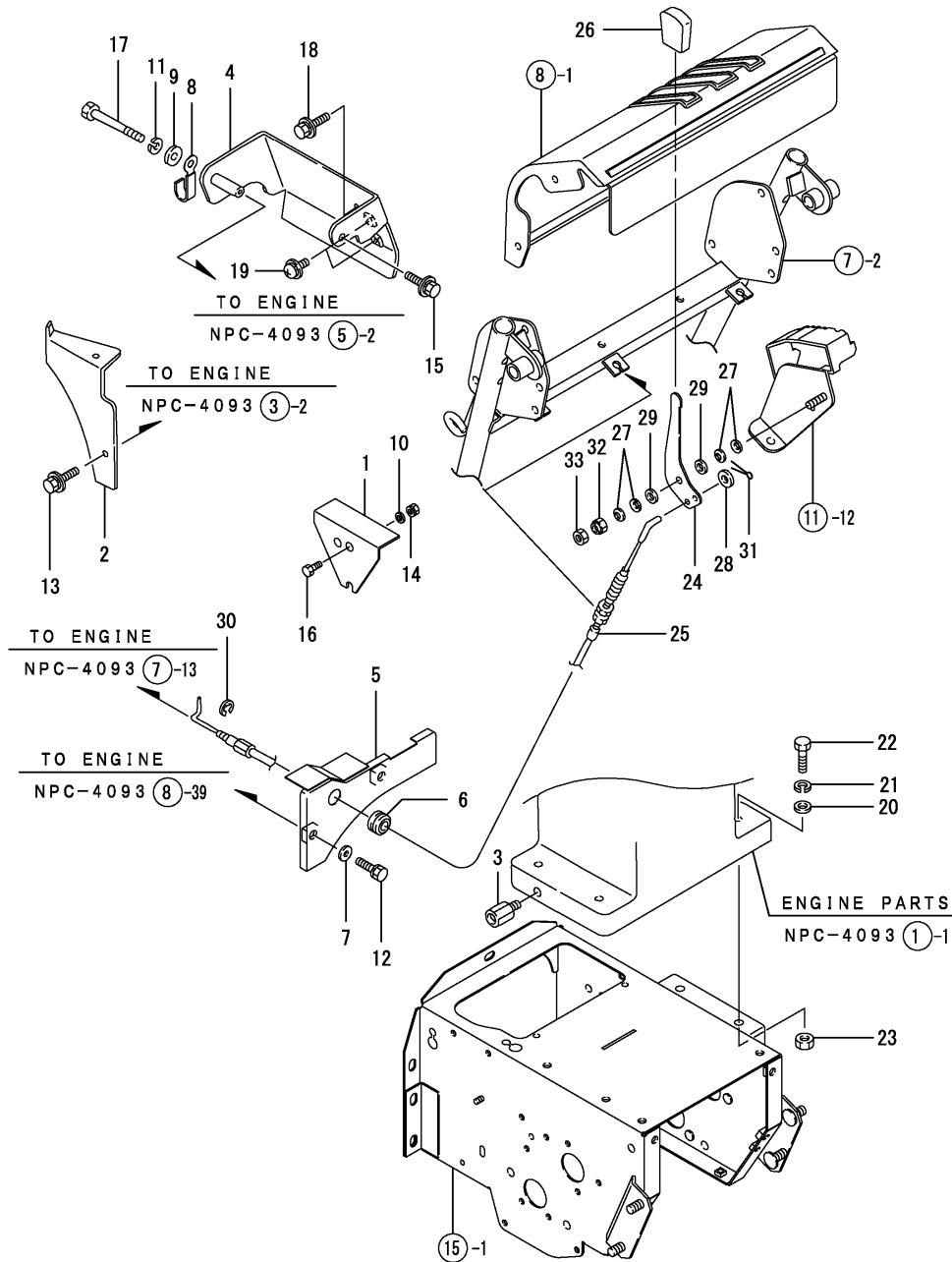
CONTENTS

MODEL : YSR90W(
PC NO : 0CNP4-G48100

| Fig.No. | GROUP NAME |
|---|-----------------------|
| ENGINE RELATED SECTION | |
| 1. | ENGINE RELATED |
| DRIVE TRAVEL SECTION | |
| 2. | TENSION CLUTCH |
| 3. | ENGINE PULLEY & BELT |
| 4. | TRAVEL DRIVE |
| 5. | BRAKE |
| 6. | REDUCTION GEAR & AXLE |
| CONTROL SECTION | |
| 7. | HANDLE |
| 8. | CONTROL PANEL |
| 9. | DEAD MAN LEVER |
| 10. | CLUTCH & CLUTCH LOCK |
| 11. | CHANGE LEVER |
| 12. | CHANGE ROD |
| 13. | CHUTE LEVER |
| 14. | CHUTE HANDLE |
| CHASSIS,COVER & TIRE SECTION | |
| 15. | CHASSIS FRAME |
| 16. | BELT & GEAR COVER |
| 17. | TIRE |
| ELECTRICAL PARTS SECTION | |
| 18. | BATTERY |
| 19. | HARNESS & SWITCH |
| 20. | LAMP |

| Fig.No. | GROUP NAME |
|---|---------------------|
| SNOW REMOVING SECTION | |
| 21. | SNOW REMOVING FRAME |
| 22. | AUGER COVER |
| 23. | CHUTE |
| 24. | GEAR CASE |
| 25. | AUGER & BLOWER |
| LABELS & ACCESSORIES SECTION | |
| 26. | LABELS |
| 27. | LABELS(SAFETY) |
| 28. | TOOLS & ACCESSORIES |

Fig.1. ENGINE RELATED

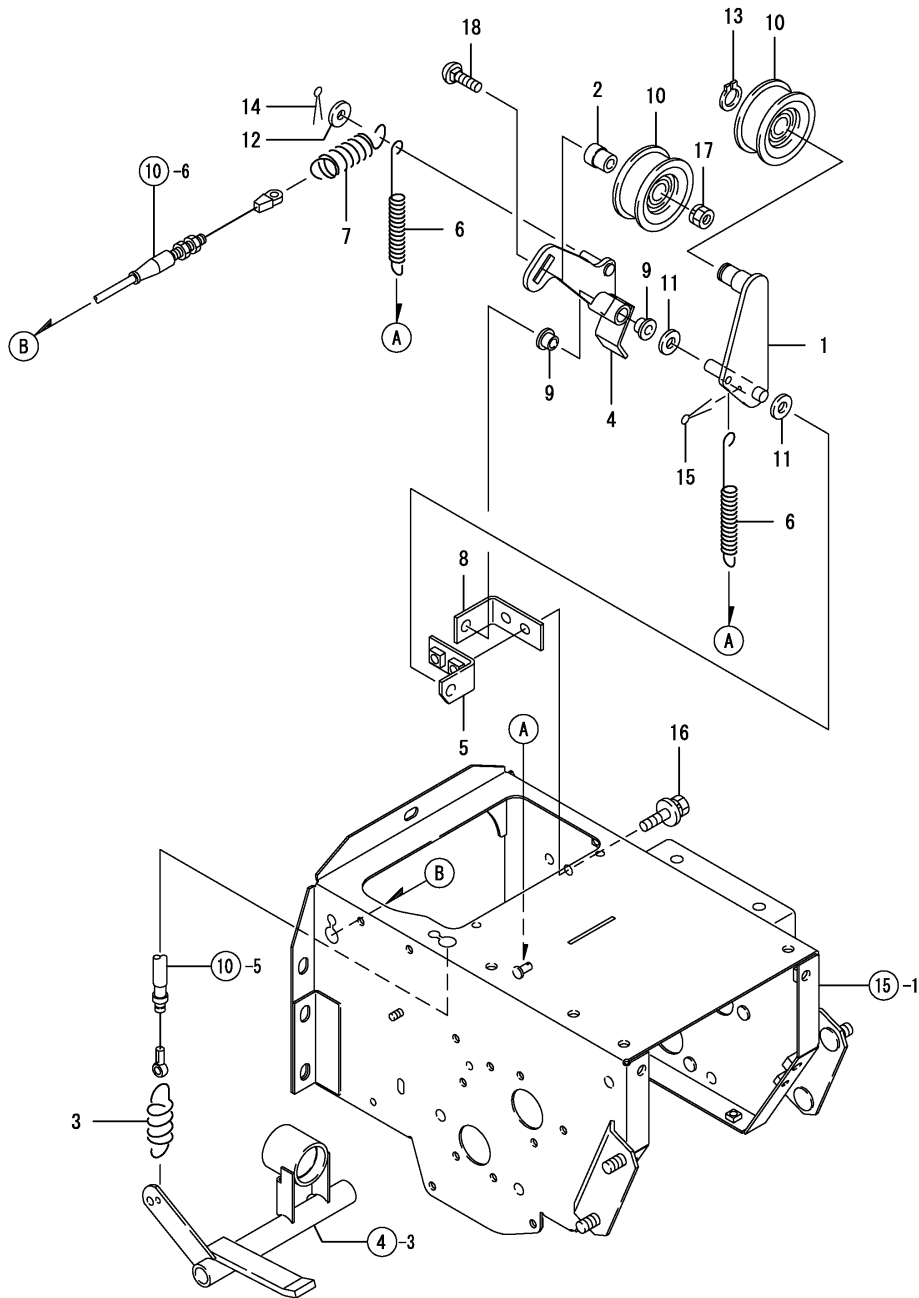


(A)=YSR90W
(B)=YSR90W-S
(C)=

(D)=
(E)=
(F)=

| REF. | LEV. | PARTS NO. | DESCRIPTION | QTY | | | | | | I | R |
|------|------|----------------|---------------------|-----|-----|-----|-----|-----|-----|---|---|
| | | | | (A) | (B) | (C) | (D) | (E) | (F) | | |
| 1 | 1 | 1N3300-00050-1 | GUARD,MUFFLER | 1 | 1 | | | | | | |
| 2 | 1 | 1N1723-00061-1 | COVER, AUX. B | 1 | 1 | | | | | | |
| 3 | 1 | 1N3021-00250 | JOINT,WASTE OIL | 1 | 1 | | | | | | |
| 4 | 1 | 1N1723-00280 | BRACKET | 1 | 1 | | | | | | |
| 5 | 1 | 1N1723-00331 | COVER | 1 | 1 | | | | | | |
| 6 | 1 | 1N1723-00350 | GROMMET BG-12-1 | 1 | 1 | | | | | | |
| 7 | 1 | 1J3999-02010 | WASHER 6 | 2 | 2 | | | | | | |
| 8 | 1 | 1N1710-32600 | CLAMP 8X70 | 1 | | | | | | | |
| 9 | 1 | 22117-060000 | WASHER 6 | 1 | 1 | | | | | | |
| 10 | 1 | 22137-060000 | WASHER 6, POLISHED | 1 | 1 | | | | | | |
| 11 | 1 | 22217-060000 | SPRING WASHER 6 | 1 | 1 | | | | | | |
| 12 | 1 | 26016-060204 | BOLT M 6X 20 | 2 | 2 | | | | | | |
| 13 | 1 | 26018-060124 | BOLT M 6X 12 | 2 | 2 | | | | | | |
| 14 | 1 | 26051-060002 | NUT M 6 | 1 | 1 | | | | | | |
| 15 | 1 | 26106-060122 | BOLT M 6X 12 PLATED | 1 | 1 | | | | | | |
| 16 | 1 | 26117-060122 | BOLT M 6X 12 PLATED | 1 | 1 | | | | | | |
| 17 | 1 | 26117-060452 | BOLT M 6X 45 PLATED | 1 | 1 | | | | | | |
| 18 | 1 | 26018-060124 | BOLT M 6X 12 | | 1 | | | | | | |
| 19 | 1 | 26023-040062 | SCREW M 4X6 | | 2 | | | | | | |
| 20 | 1 | 22137-100000 | WASHER 10,POLISHED | 4 | 4 | | | | | | |
| 21 | 1 | 22217-100000 | SPRING WASHER 10 | 4 | 4 | | | | | | |
| 22 | 1 | 26116-100402 | BOLT 10X 40 | 4 | 4 | | | | | | |
| 23 | 1 | 26717-100002 | NUT M10 | 2 | 2 | | | | | | |
| 24 | 1 | 1N3390-02100-1 | LEVER,ACCEL | 1 | 1 | | | | | | |
| 25 | 1 | 1N3310-02150 | WIRE ASSY, THROTTLE | 1 | 1 | | | | | | |
| 26 | 1 | 194273-47910 | KNOB | 1 | 1 | | | | | | |
| 27 | 1 | 1N1570-51130 | SPRING,BELLEVILLE | 4 | 4 | | | | | | |
| 28 | 1 | 22117-060000 | WASHER 6 | 1 | 1 | | | | | | |
| 29 | 1 | 22137-080000 | WASHER 8, POLISHED | 2 | 2 | | | | | | |
| 30 | 1 | 22272-000050 | CIRCLIP E- 5 | 1 | 1 | | | | | | |
| 31 | 1 | 22417-200100 | COTTER PIN 2.0X10 | 1 | 1 | | | | | | |
| 32 | 1 | 26347-080002 | U-NUT M 8 | 1 | 1 | | | | | | |
| 33 | 1 | 26717-080002 | NUT 8 | 1 | 1 | | | | | | |

Fig.2. TENSION CLUTCH

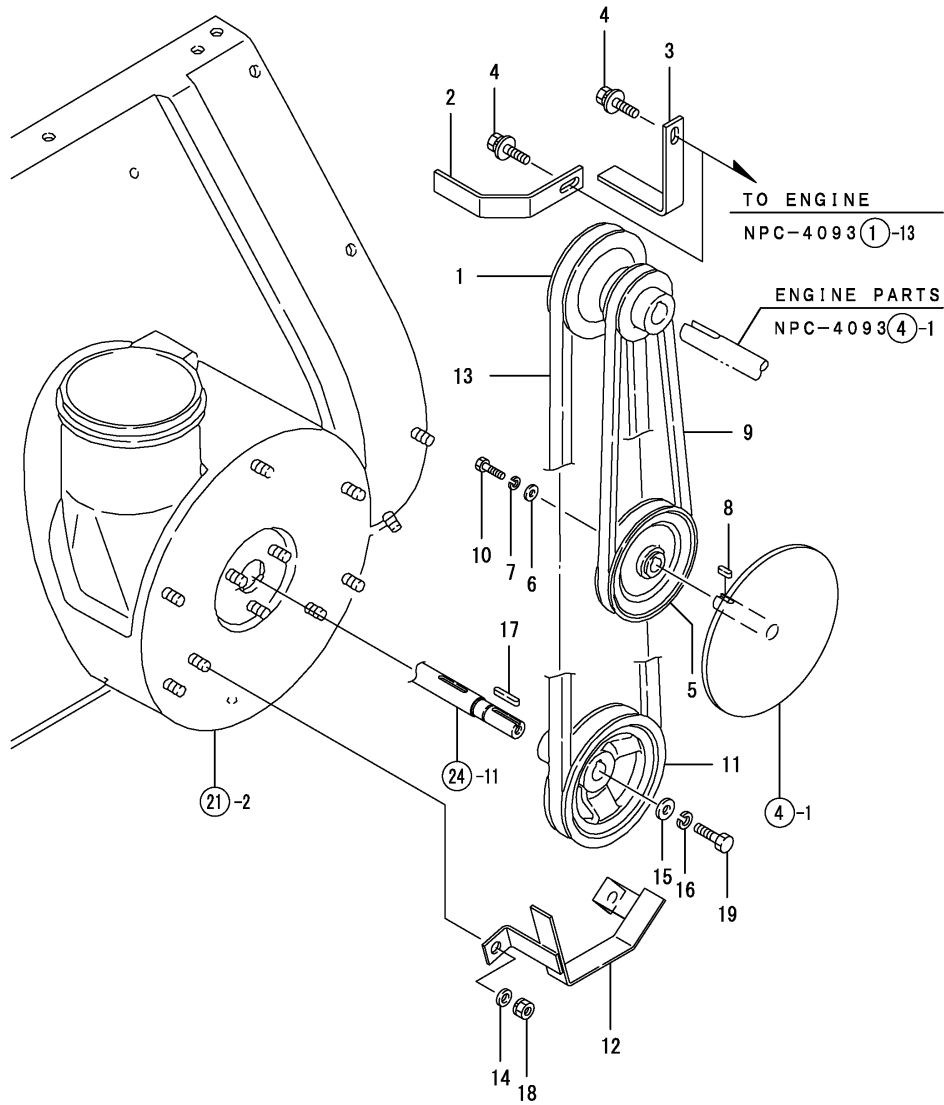


(A)=YSR90W
(B)=YSR90W-S
(C)=

(D)=
(E)=
(F)=

| REF. | LEV. | PARTS NO. | DESCRIPTION | QTY | | | | | | I | R |
|------|------|----------------|----------------------|-----|-----|-----|-----|-----|-----|---|---|
| | | | | (A) | (B) | (C) | (D) | (E) | (F) | | |
| 1 | 1 | 1N3440-11000 | TENSION, TRAVEL | 1 | 1 | | | | | | |
| 2 | 1 | 1N3440-11050 | SHAFT, PULLEY | 1 | 1 | | | | | | |
| 3 | 1 | 1N3300-11080 | SPRING 20X64 | 1 | 1 | | | | | | |
| 4 | 1 | 1N3440-11100 | TENSION, WORK | 1 | 1 | | | | | | |
| 5 | 1 | 1N3810-11200 | FULCRUM, TENSION | 1 | 1 | | | | | | |
| 6 | 1 | 1N3810-11250 | SPRING, 12X130 | 2 | 2 | | | | | | |
| 7 | 1 | 1N3440-11270 | SPRING, 17.5X66 | 1 | 1 | | | | | | |
| 8 | 1 | 1N3810-11300 | FULCRUM, TENSION B | 1 | 1 | | | | | | |
| 9 | 1 | 1N3021-31580 | BUSH 10X15,FLANGED | 2 | 2 | | | | | | |
| 10 | 1 | 1E7030-51301-1 | ROLLER ASSY, TENSION | 2 | 2 | | | | | | |
| 11 | 1 | 22137-100000 | WASHER 10,POLISHED | 2 | 2 | | | | | | |
| 12 | 1 | 22157-060000 | WASHER 6 | 1 | 1 | | | | | | |
| 13 | 1 | 22242-000150 | CIRCLIP 15 | 1 | 1 | | | | | | |
| 14 | 1 | 22417-160100 | COTTER PIN | 1 | 1 | | | | | | |
| 15 | 1 | 22417-200160 | COTTER PIN 2.0X16 | 1 | 1 | | | | | | |
| 16 | 1 | 26018-080162 | BOLT M 8X 16 | 2 | 2 | | | | | | |
| 17 | 1 | 26051-080002 | NUT M 8 | 1 | 1 | | | | | | |
| 18 | 1 | 26487-080352 | BOLT 8*35 | 1 | 1 | | | | | | |

Fig.3. ENGINE PULLEY & BELT



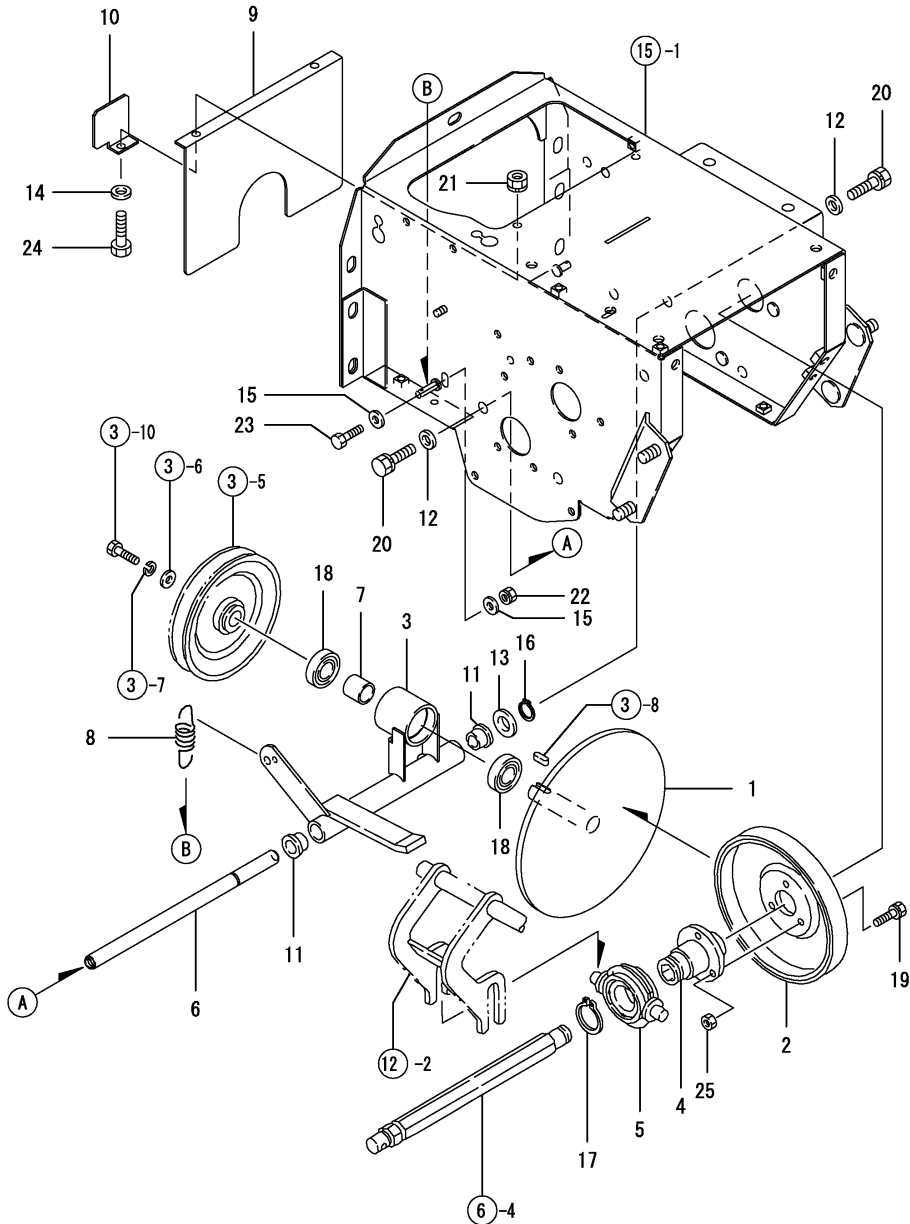
0CNP4-G48100 3. ENGINE PULLEY & BELT

(A)=YSR90W
(B)=YSR90W-S
(C)=

(D)=
(E)=
(F)=

| REF. | LEV. | PARTS NO. | DESCRIPTION | QTY | | | | | | I | R |
|------|------|----------------|---------------------|-----|-----|-----|-----|-----|-----|---|---|
| | | | | (A) | (B) | (C) | (D) | (E) | (F) | | |
| 1 | 1 | 1N3300-12000-1 | ENGINE PULLEY (9W) | 1 | 1 | | | | | | |
| 2 | 1 | 1N3300-12101-1 | RETAINER A,BELT | 1 | 1 | | | | | | |
| 3 | 1 | 1N3300-12150-1 | RETAINER B,BELT | 1 | 1 | | | | | | |
| 4 | 1 | 26018-080162 | BOLT M 8X 16 | 2 | 2 | | | | | | |
| 5 | 1 | 1N3300-12050-1 | PULLEY 126A | 1 | 1 | | | | | | |
| 6 | 1 | 22157-060000 | WASHER 6 | 1 | 1 | | | | | | |
| 7 | 1 | 22217-060000 | SPRING WASHER 6 | 1 | 1 | | | | | | |
| 8 | 1 | 22550-050150 | KEY 5X15 | 1 | 1 | | | | | | |
| 9 | 1 | 25122-002901 | V-BELT | 1 | 1 | | | | | | |
| 10 | 1 | 26116-060162 | BOLT 6X16 | 1 | 1 | | | | | | |
| 11 | 1 | 1N3300-12010-1 | PULLEY 133B | 1 | 1 | | | | | | |
| 12 | 1 | 1N3300-12201-1 | GUIDE, BELT | 1 | 1 | | | | | | |
| 13 | 1 | 1N3300-12300 | V-BELT LB33-AG6 | 1 | 1 | | | | | | |
| 14 | 1 | 22137-080000 | WASHER 8, POLISHED | 2 | 2 | | | | | | |
| 15 | 1 | 22157-080000 | WASHER 8 | 1 | 1 | | | | | | |
| 16 | 1 | 22217-080000 | SPRING WASHER 8 | 1 | 1 | | | | | | |
| 17 | 1 | 22550-050300 | KEY 5X30 | 1 | 1 | | | | | | |
| 18 | 1 | 26051-080002 | NUT M 8 | 2 | 2 | | | | | | |
| 19 | 1 | 26116-080252 | BOLT M 8X 25 PLATED | 1 | 1 | | | | | | |

Fig.4. TRAVEL DRIVE



(A)=YSR90W
(B)=YSR90W-S
(C)=

(D)=
(E)=
(F)=

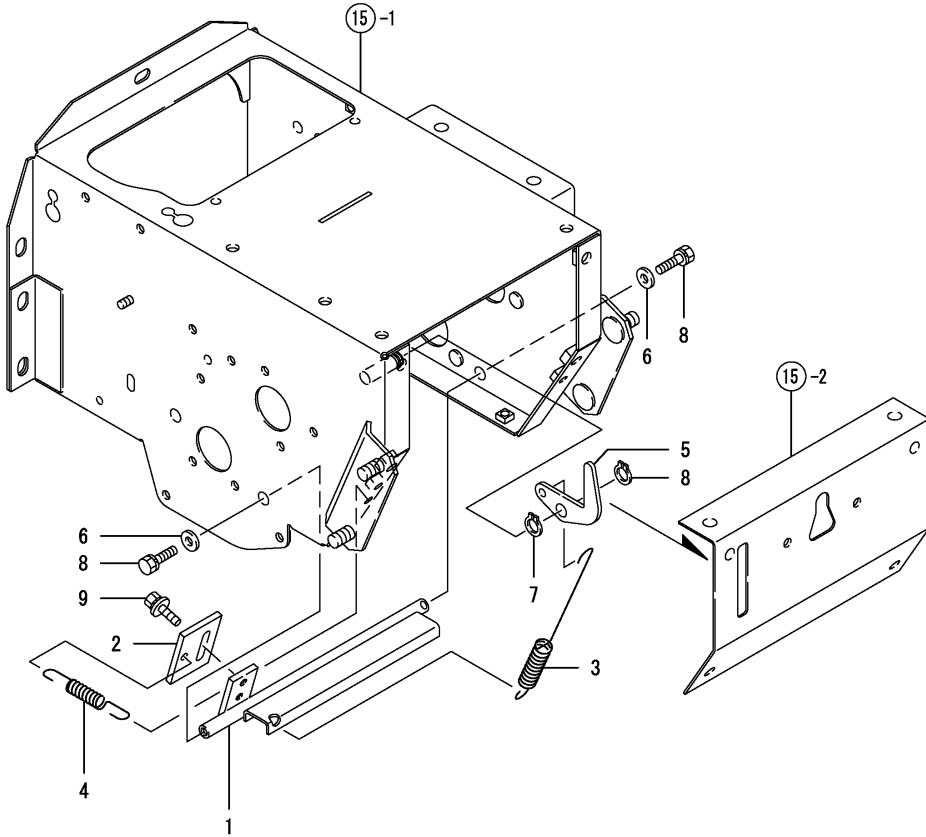
| REF. | LEV. | PARTS NO. | DESCRIPTION | QTY | | | | | | I | R |
|--------|------|-------------------------|----------------------|-----|-----|-----|-----|-----|-----|---|---|
| | | | | (A) | (B) | (C) | (D) | (E) | (F) | | |
| 1 | 1 | 1N3300-21000 | PLATE,CHANGE | 1 | 1 | | | | | | |
| 2 | 1 | 1N1570-21200 | PLATE,FRICTION | 1 | 1 | | | | | | |
| 3 | 1 | 1N3300-21201-1 | BEARING,PLATE | 1 | 1 | | | | | | |
| 4 | 1 | 1N1720-21211 | SEAT,FRICTN PL.MTG. | 1 | 1 | | | | | | |
| 5 | 1 | 1N1570-21300 | SLIDER,CLUTCH | 1 | 1 | | | | | | |
| 6 | 1 | 1N3300-21300 | PLATE,FULCRUM,JOINT | 1 | 1 | | | | | | |
| 7 | 1 | 1N3300-21310 | COLLAR 15X19X18 | 1 | 1 | | | | | | |
| 8 | 1 | 1N3300-21321 | SPRING 16X45 | 1 | 1 | | | | | | |
| 9 | 1 | 1N3300-21400-1 | PARTING PLATE,CHASSY | 1 | 1 | | | | | | |
| 10 | 1 | 1N3300-21450-1 | SPACER,CHASSIS | 1 | 1 | | | | | | |
| 11 | 1 | 1S6000-61220 | BUSH,COLLAR | 2 | 2 | | | | | | |
| 12 | 1 | 22117-080000 | WASHER 8 | 2 | 2 | | | | | | |
| 13 | 1 | 22117-120000 | WASHER 12 | 1 | 1 | | | | | | |
| 14 | 1 | 22137-060000 | WASHER 6, POLISHED | 2 | 2 | | | | | | |
| 15 | 1 | 22157-060000 | WASHER 6 | 2 | 2 | | | | | | |
| I 15-1 | 1 | 1J3999-02010 | WASHER 6 | 2 | 2 | | | | | | N |
| | | (A=F010843) (B=F010843) | | | | | | | | | |
| 16 | 1 | 22242-000120 | CIRCLIP 12 | 1 | 1 | | | | | | |
| 17 | 1 | 22242-000250 | CIRCLIP 25S | 1 | 1 | | | | | | |
| 18 | 1 | 24104-060024 | BALL BEARING 6002UU | 2 | 2 | | | | | | |
| 19 | 1 | 26016-060164 | BOLT 6X16 W/L.W. | 3 | 3 | | | | | | |
| 20 | 1 | 26016-080164 | BOLT M 8X 16 | 2 | 2 | | | | | | |
| 21 | 1 | 26051-060002 | NUT M 6 | 2 | 2 | | | | | | |
| 22 | 1 | 26051-060002 | NUT M 6 | 1 | 1 | | | | | | |
| 23 | 1 | 26116-060254 | BOLT M 6X 25 PLATED | 1 | 1 | | | | | | |
| 24 | 1 | 26117-060162 | BOLT M 6X 16 PLATED | 2 | 2 | | | | | | |
| 25 | 1 | 26717-060002 | NUT M 6 | 3 | 3 | | | | | | |

Fig.5. BRAKE

0CNP4-G48100 5. BRAKE

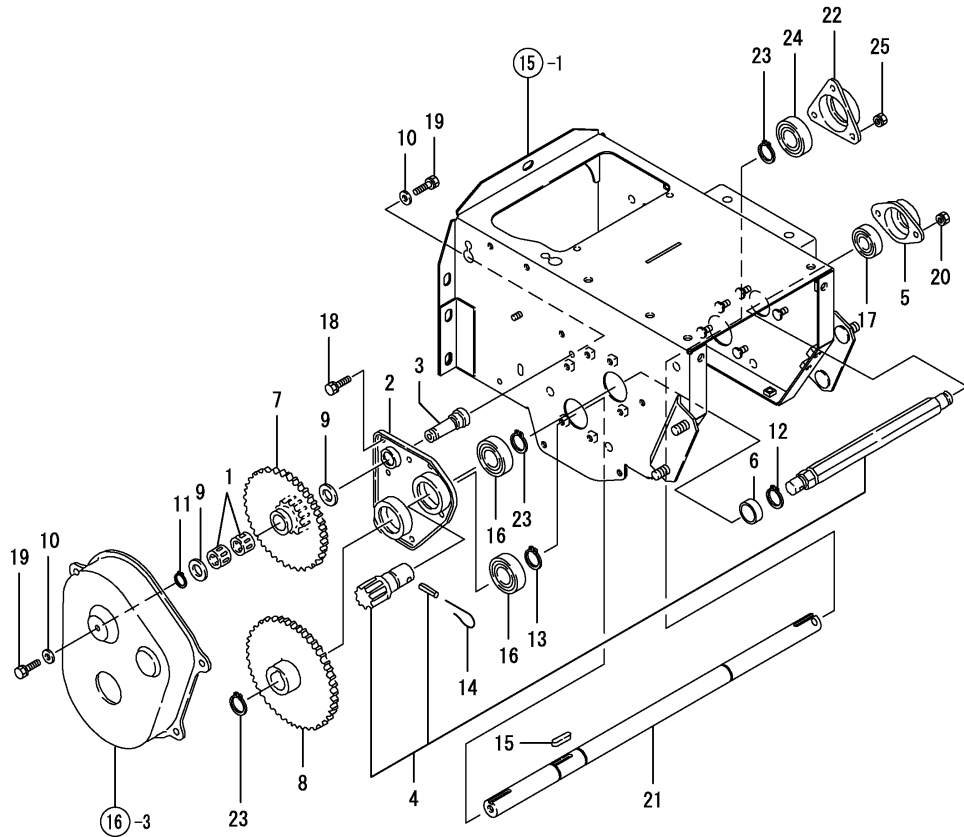
(A)=YSR90W
(B)=YSR90W-S
(C)=

(D)=
(E)=
(F)=



| REF. | LEV. | PARTS NO. | DESCRIPTION | QTY | | | | | | I | R |
|------|------|-------------------------|---------------------|-----|-----|-----|-----|-----|-----|---|---|
| | | | | (A) | (B) | (C) | (D) | (E) | (F) | | |
| 1 | 1 | 1N3300-22001-1 | PLATE,PARKING BRAKE | 1 | 1 | | | | | | |
| 2 | 1 | 1N3300-22100-1 | STOPPER,BRAKE | 1 | 1 | | | | | | |
| 3 | 1 | 1N3400-22150 | SPRING,11X169 | 1 | 1 | | | | | | |
| 4 | 1 | 1N3300-22170 | SPRING 9X82 | 1 | 1 | | | | | | |
| 5 | 1 | 1N3300-22210 | PLATE, BRAKE LEVER | 1 | 1 | | | | | | |
| 6 | 1 | 22157-060000 | WASHER 6 | 2 | 2 | | | | | | |
| I | 6-1 | 1J3999-02010 | WASHER 6 | 2 | 2 | | | | | | N |
| | | (A=F010843) (B=F010843) | | | | | | | | | |
| 7 | 1 | 22242-000100 | CIRCLIP 10 | 2 | 2 | | | | | | |
| 8 | 1 | 26016-060162 | BOLT M 6X 16 | 2 | 2 | | | | | | |
| 9 | 1 | 26018-060122 | BOLT M 6X 12 | 2 | 2 | | | | | | |

Fig.6. REDUCTION GEAR & AXLE



OCNP4-G48100 6. REDUCTION GEAR & AXLE

(A)=YSR90W
(B)=YSR90W-S
(C)=

(D)=
(E)=
(F)=

| REF. | LEV. | PARTS NO. | DESCRIPTION | Q'TY | | | | | | I | R |
|------|------|----------------|----------------------|------|-----|-----|-----|-----|-----|---|---|
| | | | | (A) | (B) | (C) | (D) | (E) | (F) | | |
| 1 | 1 | 1N1570-21600 | BEARING | 2 | 2 | | | | | | |
| 2 | 1 | 1N3300-23000 | JOINT,GEAR,REDUCTION | 1 | 1 | | | | | | |
| 3 | 1 | 1N3300-23050 | SHAFT,COUNTER | 1 | 1 | | | | | | |
| 4 | 1 | 1N3300-23090 | PINION GEAR CMP | 1 | 1 | | | | | | |
| 5 | 1 | 1F1150-23140 | JOINT | 1 | 1 | | | | | | |
| 6 | 1 | 1N3300-23180 | COLLAR, 20X25X9.5 | 1 | 1 | | | | | | |
| 7 | 1 | 1N3300-23200 | GEAR,COUNTER | 1 | 1 | | | | | | |
| 8 | 1 | 1N3300-23300 | GEAR,AXLE 86 | 1 | 1 | | | | | | |
| 9 | 1 | 22117-120000 | WASHER 12 | 2 | 2 | | | | | | |
| 10 | 1 | 22157-060000 | WASHER 6 | 2 | 2 | | | | | | |
| 11 | 1 | 22242-000120 | CIRCLIP 12 | 1 | 1 | | | | | | |
| 12 | 1 | 22242-000190 | CIRCLIP 19 | 1 | 1 | | | | | | |
| 13 | 1 | 22242-000200 | CIRCLIP 20 | 1 | 1 | | | | | | |
| 14 | 1 | 22451-160000 | WIRE 1.6 | 1 | 1 | | | | | | |
| 15 | 1 | 22512-050260 | KEY 5* 26 | 1 | 1 | | | | | | |
| 16 | 1 | 24104-060044 | BALL BEARING | 2 | 2 | | | | | | |
| 17 | 1 | 24104-062024 | BALL BEARING | 1 | 1 | | | | | | |
| 18 | 1 | 26016-060122 | BOLT M 6X 12 | 7 | 7 | | | | | | |
| 19 | 1 | 26016-060162 | BOLT M 6X 16 | 2 | 2 | | | | | | |
| 20 | 1 | 26051-060002 | NUT M 6 | 2 | 2 | | | | | | |
| 21 | 1 | 1N3300-25000-1 | AXLE (9W) | 1 | 1 | | | | | | |
| 22 | 1 | 1N3300-25100 | JOINT 6004 | 1 | 1 | | | | | | |
| 23 | 1 | 22242-000200 | CIRCLIP 20 | 3 | 3 | | | | | | |
| 24 | 1 | 24104-060044 | BALL BEARING | 1 | 1 | | | | | | |
| 25 | 1 | 26051-060002 | NUT M 6 | 3 | 3 | | | | | | |

Fig.7. HANDLE

(A)=YSR90W
(B)=YSR90W-S
(C)=

(D)=
(E)=
(F)=

| REF. | LEV. | PARTS NO. | DESCRIPTION | Q'TY | | | | | | I | R |
|------|------|----------------|--------------------|------|-----|-----|-----|-----|-----|---|---|
| | | | | (A) | (B) | (C) | (D) | (E) | (F) | | |
| 1 | 1 | 1N3390-30000-1 | HANDLE | 2 | 2 | | | | | | |
| 2 | 1 | 1N3400-30100 | FRAME,HANDLE | 1 | 1 | | | | | | |
| 3 | 1 | 1N1710-82140 | GRIP BK-8,HANDLE | 2 | 2 | | | | | | |
| 4 | 1 | 22137-080000 | WASHER 8, POLISHED | 4 | 4 | | | | | | |
| 5 | 1 | 26016-080162 | BOLT M 8X 16 | 4 | 4 | | | | | | |
| 6 | 1 | 26051-100002 | NUT M10 | 4 | 4 | | | | | | |

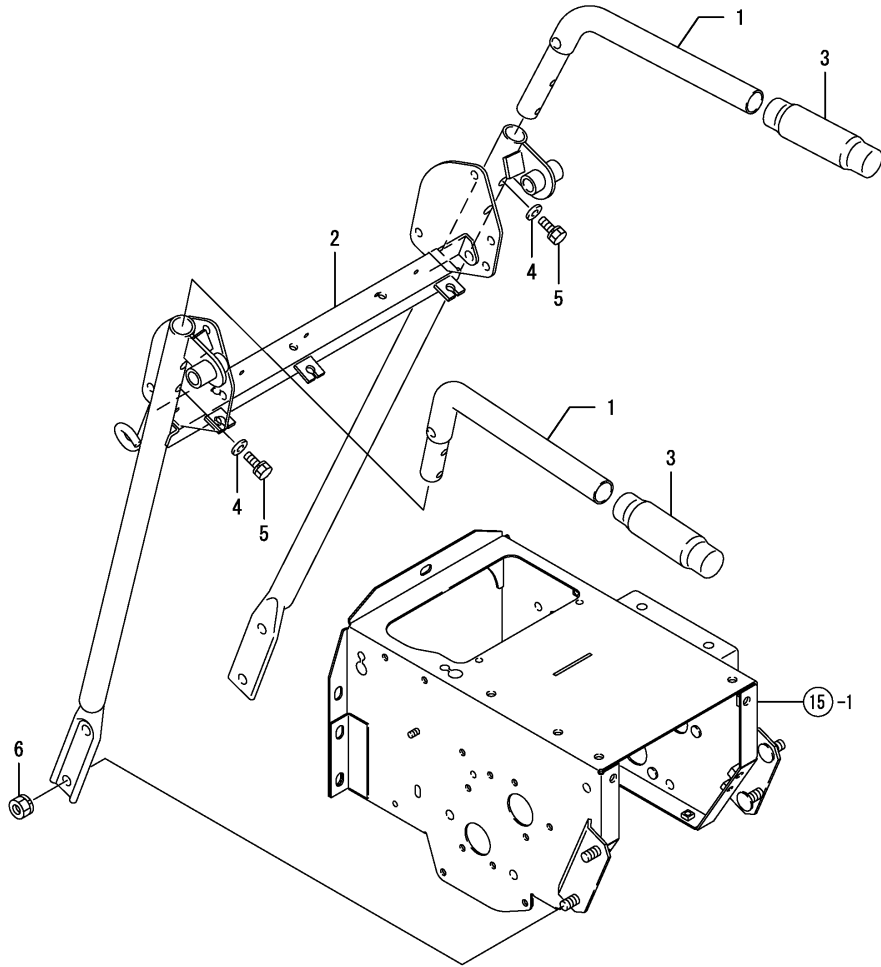
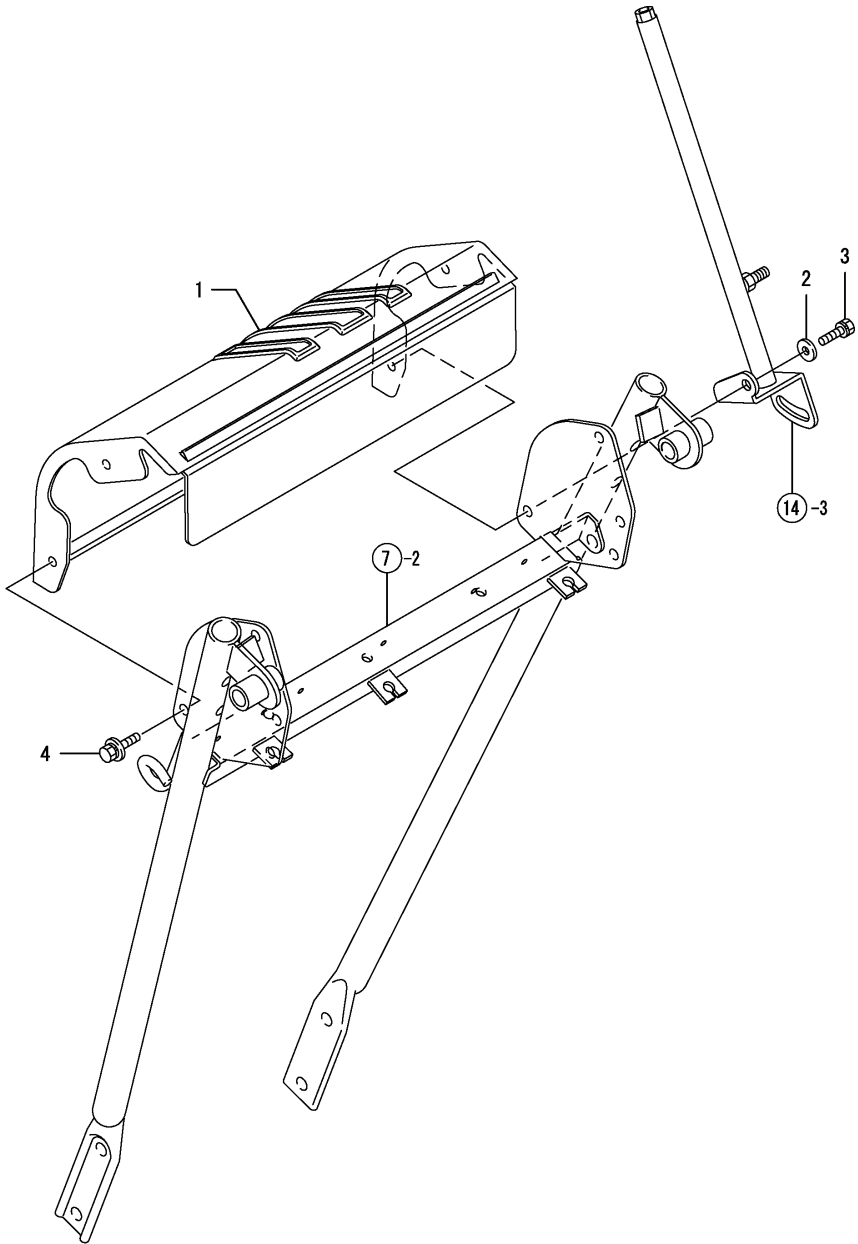


Fig.8. CONTROL PANEL



0CNP4-G48100 8. CONTROL PANEL

(A)=YSR90W
 (B)=YSR90W-S
 (C)=

(D)=
 (E)=
 (F)=

| REF. | LEV. | PARTS NO. | DESCRIPTION | QTY | | | | | | I | R |
|------|------|----------------|----------------------|-----|-----|-----|-----|-----|-----|---|---|
| | | | | (A) | (B) | (C) | (D) | (E) | (F) | | |
| 1 | 1 | 7N3390-30290-1 | PL.ASSY,OPERAT.PANEL | 1 | 1 | | | | | | |
| 2 | 1 | 22157-060000 | WASHER 6 | 1 | 1 | | | | | | |
| 3 | 1 | 26016-060162 | BOLT M 6X 16 | 1 | 1 | | | | | | |
| 4 | 1 | 26018-060124 | BOLT M 6X 12 | 3 | 3 | | | | | | |

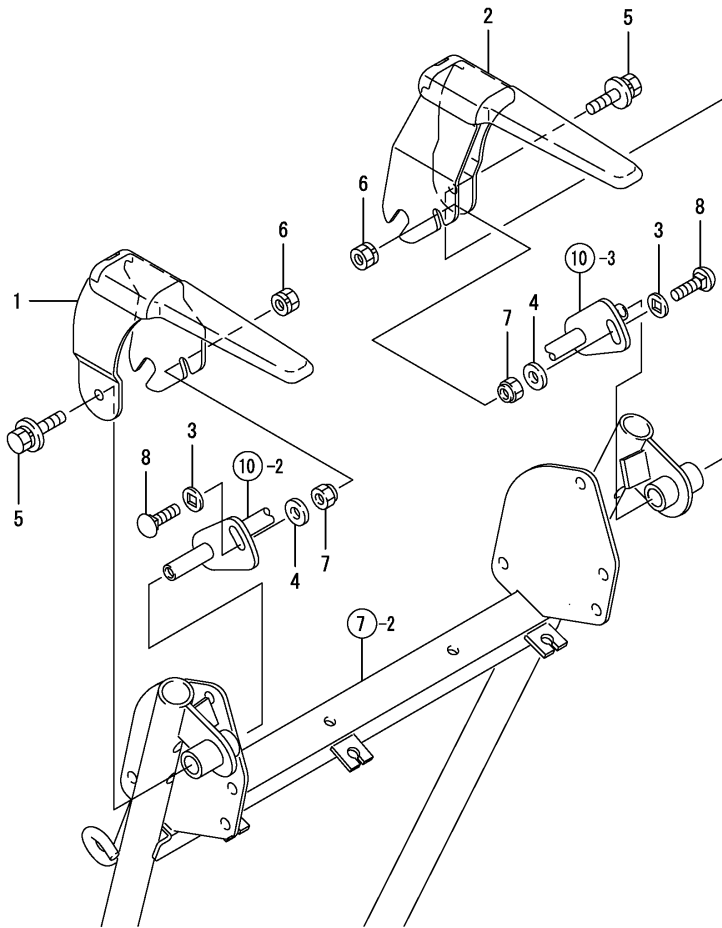
N:Old $\xrightarrow[\text{No}]{\text{Yes}}$ New, Q:Old $\xrightarrow[\text{Yes}]{\text{No}}$ New, R:Old $\xrightarrow[\text{Yes}]{\text{No}}$ New, S:Old $\xrightarrow[\text{No}]{\text{Yes}}$ New, W:Add, Z:Discontinued, F:Interchangeable by set, K:Q'ty Change
 (C)Copy Rights YANMAR CO.,LTD.

Fig.9. DEAD MAN LEVER

9. DEAD MAN LEVER

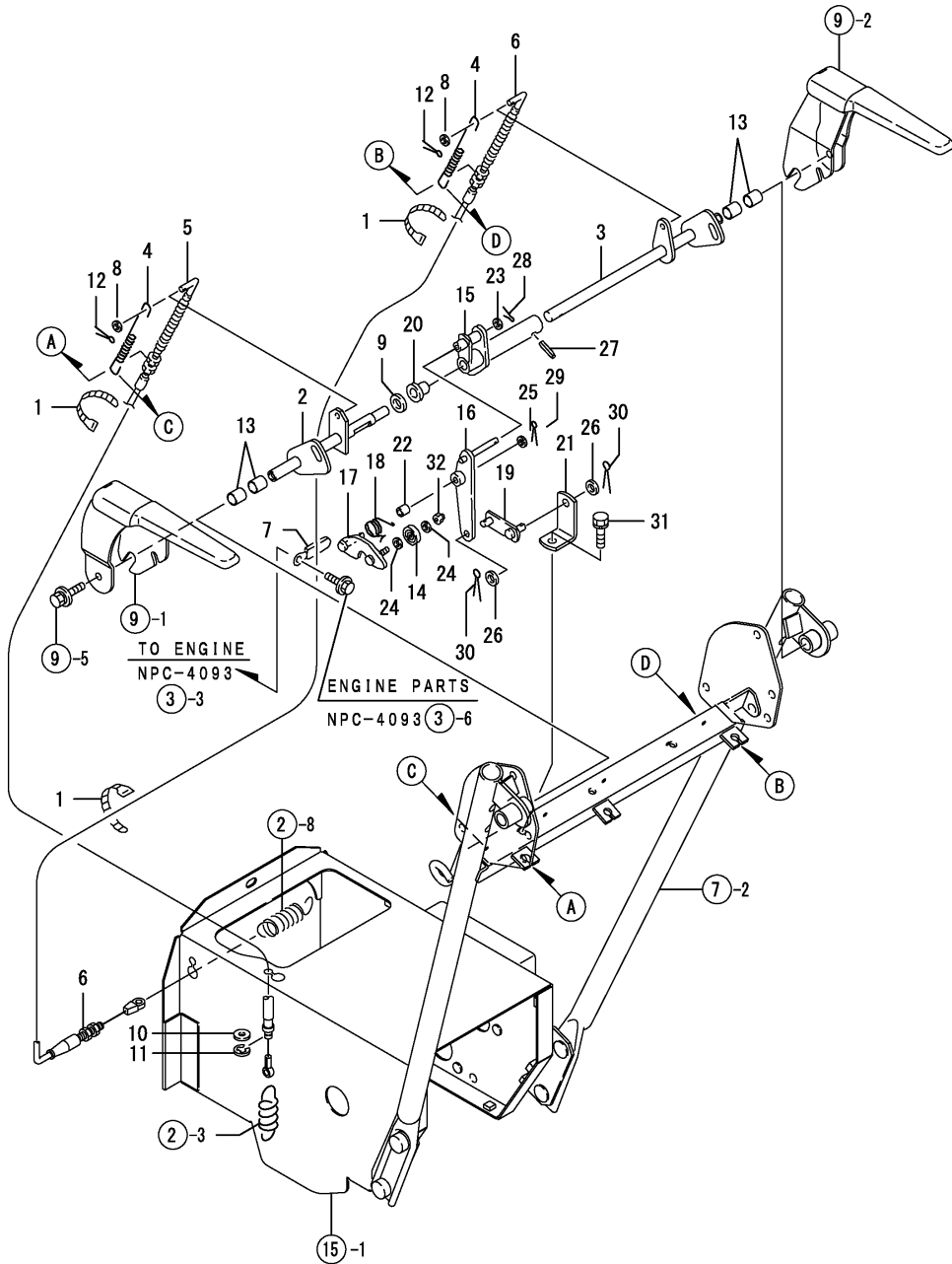
(A)=YSR90W
(B)=YSR90W-S
(C)=

(D)=
(E)=
(F)=



| REF. | LEV. | PARTS NO. | DESCRIPTION | QTY | | | | | | I | R |
|------|------|----------------|--------------------|-----|-----|-----|-----|-----|-----|---|---|
| | | | | (A) | (B) | (C) | (D) | (E) | (F) | | |
| 1 | 1 | 1N3390-31000-1 | LEVER, DEAD MAN L | 1 | 1 | | | | | | |
| 2 | 1 | 1N3390-31050-1 | LEVER, DEAD MAN R | 1 | 1 | | | | | | |
| 3 | 1 | 1N3320-71290 | WASHER | 2 | 2 | | | | | | |
| 4 | 1 | 22137-080000 | WASHER 8, POLISHED | 2 | 2 | | | | | | |
| 5 | 1 | 26018-080164 | BOLT M 8X 16 | 2 | 2 | | | | | | |
| 6 | 1 | 26051-080002 | NUT M 8 | 2 | 2 | | | | | | |
| 7 | 1 | 26347-080002 | U-NUT M 8 | 2 | 2 | | | | | | |
| 8 | 1 | 26487-080252 | BOLT 8X25,SQ.ROOT | 2 | 2 | | | | | | |

Fig.10. CLUTCH & CLUTCH LOCK



OCNP4-G48100 10. CLUTCH & CLUTCH LOCK

(A)=YSR90W
(B)=YSR90W-S
(C)=

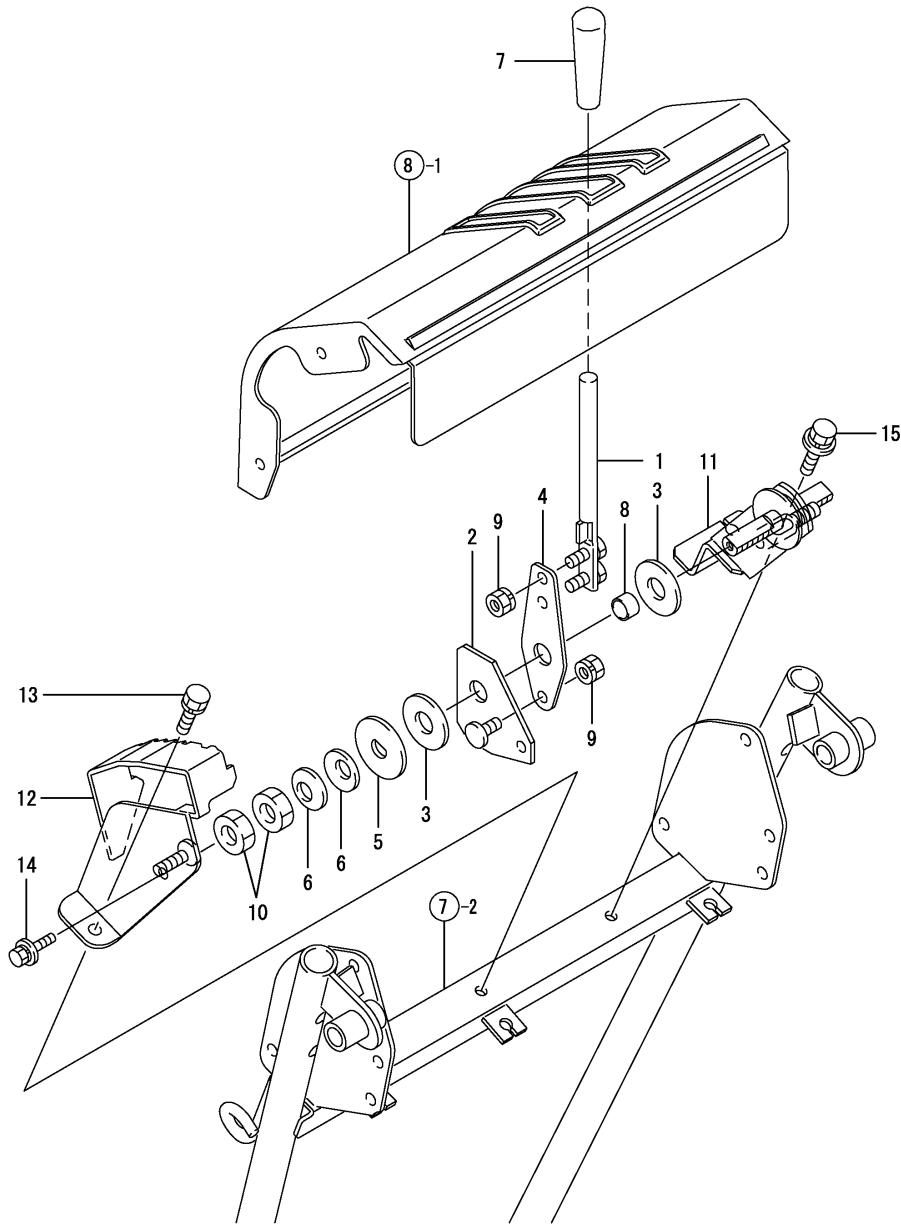
(D)=
(E)=
(F)=

| REF. | LEV. | PARTS NO. | DESCRIPTION | QTY | | | | | | I | R |
|------|------|----------------|----------------------|-----|-----|-----|-----|-----|-----|---|---|
| | | | | (A) | (B) | (C) | (D) | (E) | (F) | | |
| 1 | 1 | 1J3999-07000 | BAND 100B | 3 | 3 | | | | | | |
| 2 | 1 | 1N3370-31200 | SHAFT,TRAVEL CLUTCH | 1 | 1 | | | | | | |
| 3 | 1 | 1N3370-31300 | SHAFT,SNOW RMV.CLTCH | 1 | 1 | | | | | | |
| 4 | 1 | 1N3370-31450 | SPRING, 9X145 | 2 | 2 | | | | | | |
| 5 | 1 | 1N3810-31600 | WIRE, TRAVEL | 1 | 1 | | | | | | |
| 6 | 1 | 1N3810-31650 | WIRE, WORK | 1 | 1 | | | | | | |
| 7 | 1 | 1N1710-32600 | CLAMP 8X70 | 1 | 1 | | | | | | |
| 8 | 1 | 22117-060000 | WASHER 6 | 2 | 2 | | | | | | |
| 9 | 1 | 22117-100000 | WASHER 10 | 1 | 1 | | | | | | |
| 10 | 1 | 22137-080000 | WASHER 8, POLISHED | 1 | 1 | | | | | | |
| 11 | 1 | 22272-000070 | CIRCLIP E- 7 | 1 | 1 | | | | | | |
| 12 | 1 | 22417-200100 | COTTER PIN 2.0X10 | 2 | 2 | | | | | | |
| 13 | 1 | 24550-012150 | BUSH 12X15 | 4 | 4 | | | | | | |
| 14 | 1 | 1J3999-06000 | BEARING 626-2NSL | 1 | 1 | | | | | | |
| 15 | 1 | 1N3330-31350 | ARMCLUTCH LOCK SHAFT | 1 | 1 | | | | | | |
| 16 | 1 | 1N3300-31400 | CATCH,LOCK CLAW | 1 | 1 | | | | | | |
| 17 | 1 | 1N3021-31451 | CLAW,CLUTCH LOCK | 1 | 1 | | | | | | |
| 18 | 1 | 1N3021-31480 | SPRING,LOCK CLAW | 1 | 1 | | | | | | |
| 19 | 1 | 1N3300-31500 | GUIDE,LOCK CLAW | 1 | 1 | | | | | | |
| 20 | 1 | 1N3021-31580 | BUSH 10X15,FLANGED | 1 | 1 | | | | | | |
| 21 | 1 | 1N3370-31700-1 | SEAT, LOCK CLAW | 1 | 1 | | | | | | |
| 22 | 1 | 1C1011-45020 | BUSH 6X8X10 | 1 | 1 | | | | | | |
| 23 | 1 | 22117-060000 | WASHER 6 | 1 | 1 | | | | | | |
| 24 | 1 | 22117-060000 | WASHER 6 | 2 | 2 | | | | | | |
| 25 | 1 | 22117-060000 | WASHER 6 | 1 | 1 | | | | | | |
| 26 | 1 | 22117-080000 | WASHER 8 | 2 | 2 | | | | | | |
| 27 | 1 | 22351-050020 | SPRING PIN 5X20 | 1 | 1 | | | | | | |
| 28 | 1 | 22417-160100 | COTTER PIN | 1 | 1 | | | | | | |
| 29 | 1 | 22417-160100 | COTTER PIN | 1 | 1 | | | | | | |
| 30 | 1 | 22417-200160 | COTTER PIN 2.0X16 | 2 | 2 | | | | | | |
| 31 | 1 | 26016-080164 | BOLT M 8X 16 | 1 | 1 | | | | | | |
| 32 | 1 | 26347-060002 | U-NUT M 6 | 1 | 1 | | | | | | |

Fig.11. CHANGE LEVER

(A)=YSR90W
(B)=YSR90W-S
(C)=

(D)=
(E)=
(F)=



| REF. | LEV. | PARTS NO. | DESCRIPTION | QTY | | | | | | I | R |
|------|------|----------------|----------------------|-----|-----|-----|-----|-----|-----|---|---|
| | | | | (A) | (B) | (C) | (D) | (E) | (F) | | |
| 1 | 1 | 1N3360-32000 | CHANGE LEVER | 1 | 1 | | | | | | |
| 2 | 1 | 1N3335-32050 | ARM, CHANGE | 1 | 1 | | | | | | |
| 3 | 1 | 1N3330-32090 | FRICTION PLATE | 2 | 2 | | | | | | |
| 4 | 1 | 1N3335-32090-1 | SPRING, LEVER | 1 | 1 | | | | | | |
| 5 | 1 | 1N1723-32350 | LOCK WASHER | 1 | 1 | | | | | | |
| 6 | 1 | 1C6320-64680 | SPRING 14,BELLEVILLE | 2 | 2 | | | | | | |
| 7 | 1 | 1E6570-64760 | GRIP 12,CHANGE LEVER | 1 | 1 | | | | | | |
| 8 | 1 | 24550-014100 | BUSH 14X10 | 1 | 1 | | | | | | |
| 9 | 1 | 26051-080002 | NUT M 8 | 3 | 3 | | | | | | |
| 10 | 1 | 26737-140002 | NUT M14 | 2 | 2 | | | | | | |
| 11 | 1 | 1N3390-32100 | FULCRUM, LEVER | 1 | 1 | | | | | | |
| 12 | 1 | 1N3390-32400-1 | CATCH,FULCRUM | 1 | 1 | | | | | | |
| 13 | 1 | 26016-080164 | BOLT M 8X 16 | 1 | 1 | | | | | | |
| 14 | 1 | 26018-060162 | BOLT M6X16 | 1 | 1 | | | | | | |
| 15 | 1 | 26018-080164 | BOLT M 8X 16 | 1 | 1 | | | | | | |

Fig.12. CHANGE ROD

(A)=YSR90W
(B)=YSR90W-S
(C)=

(D)=
(E)=
(F)=

| REF. | LEV. | PARTS NO. | DESCRIPTION | Q'TY | | | | | | I | R |
|------|------|-------------------------|-------------------|------|-----|-----|-----|-----|-----|---|---|
| | | | | (A) | (B) | (C) | (D) | (E) | (F) | | |
| 1 | 1 | 1N3820-32200 | ROD, CHANGE LEVER | 1 | 1 | | | | | | |
| 2 | 1 | 1N3300-32300 | ARM,SLIDE | 1 | 1 | | | | | | |
| I | 2-1 | 1N3400-32300 | ARM,SLIDE | 1 | 1 | | | | | | N |
| | | (A=F010208) (B=F010208) | | | | | | | | | |
| I | 2-2 | 1N3400-32301 | ARM,SLIDE | 1 | 1 | | | | | | N |
| | | (A=F010769) (B=F010769) | | | | | | | | | |
| 3 | 1 | 1N3300-32500-1 | GUIDE,ARM,SLIDE | 1 | 1 | | | | | | |
| 4 | 1 | 1N1570-32950 | NUT 8 | 1 | 1 | | | | | | |
| 5 | 1 | 1E4760-43090 | BALL RBL8,LINK | 1 | 1 | | | | | | |
| 6 | 1 | 1E6740-64200 | BALL BL8DL, LINK | 1 | 1 | | | | | | |
| 7 | 1 | 22117-120000 | WASHER 12 | 1 | 1 | | | | | | |
| 8 | 1 | 26018-060162 | BOLT M6X16 | 2 | 2 | | | | | | |
| 9 | 1 | 26051-080002 | NUT M 8 | 2 | 2 | | | | | | |
| 10 | 1 | 26717-080002 | NUT 8 | 1 | 1 | | | | | | |

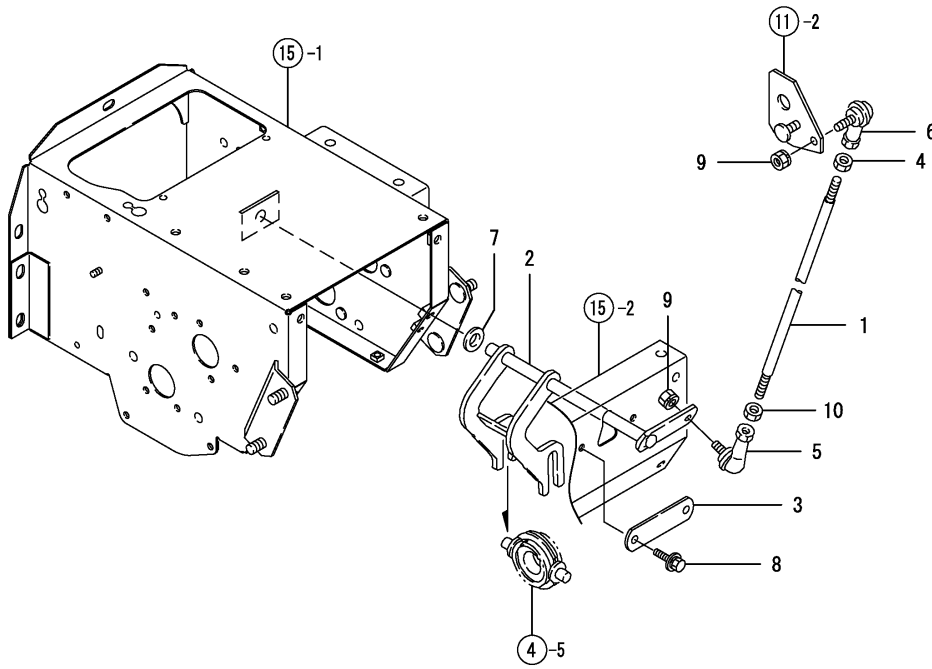
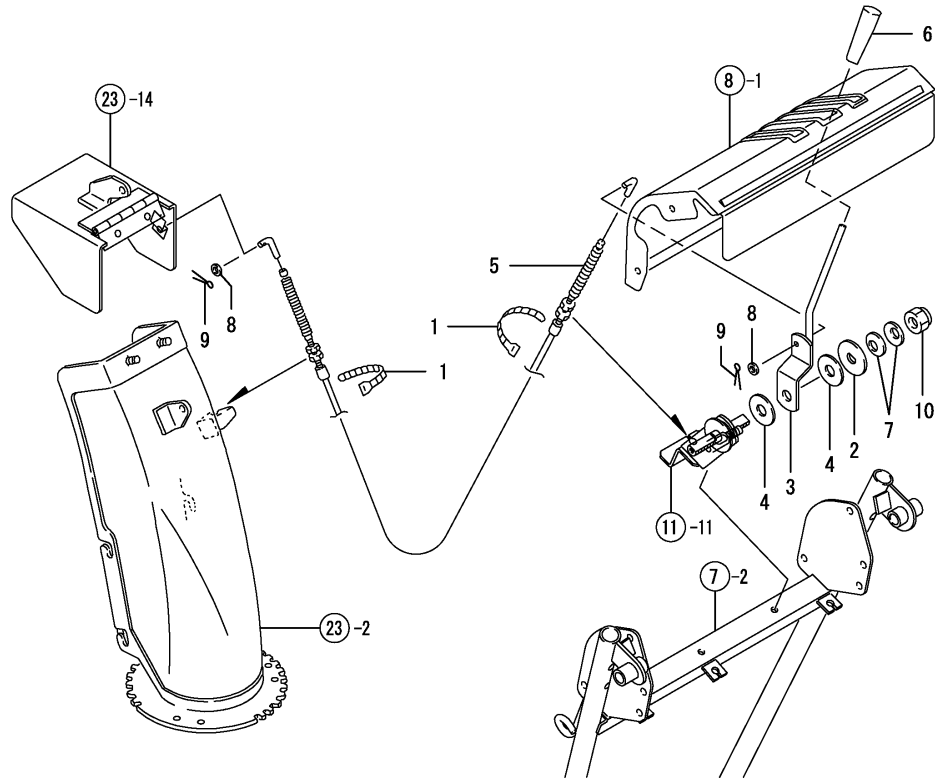


Fig.13. CHUTE LEVER



OCNP4-G48100 13. CHUTE LEVER

(A)=YSR90W
(B)=YSR90W-S
(C)=

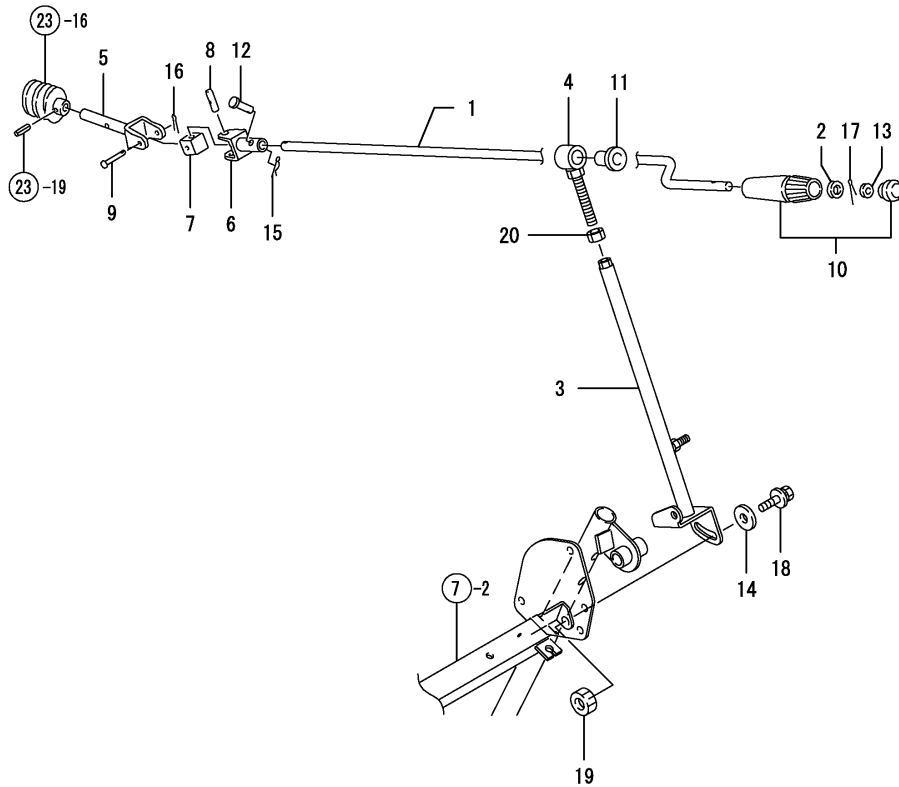
(D)=
(E)=
(F)=

| REF. | LEV. | PARTS NO. | DESCRIPTION | QTY | | | | | | I | R |
|------|------|--------------|----------------------|-----|-----|-----|-----|-----|-----|---|---|
| | | | | (A) | (B) | (C) | (D) | (E) | (F) | | |
| 1 | 1 | 1J3999-07000 | BAND 100B | 2 | 2 | | | | | | |
| 2 | 1 | 1N1723-32350 | LOCK WASHER | 1 | 1 | | | | | | |
| 3 | 1 | 1N3370-34000 | LEVER, CHUTE | 1 | 1 | | | | | | |
| 4 | 1 | 1N3331-34050 | PLATE, FRICTION | 2 | 2 | | | | | | |
| 5 | 1 | 1N3300-34201 | WIRE COMP.,SHOOT | 1 | 1 | | | | | | |
| 6 | 1 | 1A1140-58050 | GRIP, STAND | 1 | 1 | | | | | | |
| 7 | 1 | 1C6320-64680 | SPRING 14,BELLEVILLE | 2 | 2 | | | | | | |
| 8 | 1 | 22117-060000 | WASHER 6 | 2 | 2 | | | | | | |
| 9 | 1 | 22417-200100 | COTTER PIN 2.0X10 | 2 | 2 | | | | | | |
| 10 | 1 | 26357-140002 | U-NUT M14 | 1 | 1 | | | | | | |

Fig.14. CHUTE HANDLE

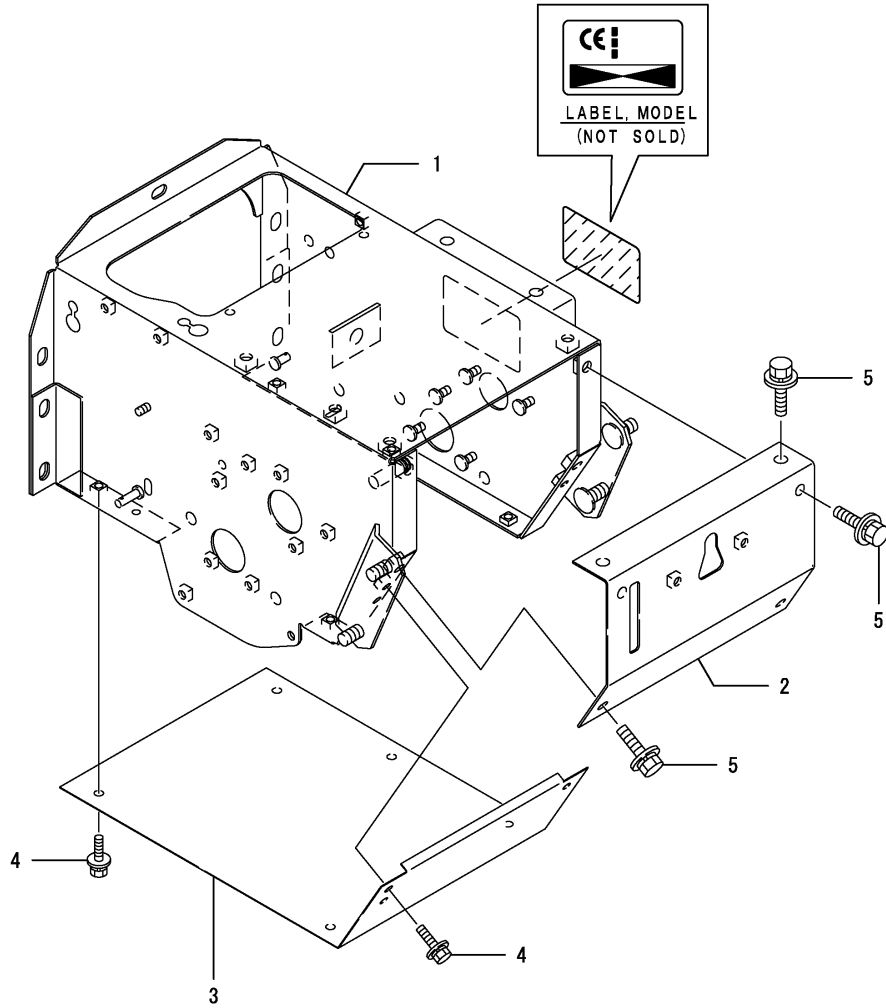
(A)=YSR90W
(B)=YSR90W-S
(C)=

(D)=
(E)=
(F)=



| REF. | LEV. | PARTS NO. | DESCRIPTION | Q'TY | | | | | | I | R |
|------|------|--------------|---------------------|------|-----|-----|-----|-----|-----|---|---|
| | | | | (A) | (B) | (C) | (D) | (E) | (F) | | |
| 1 | 1 | 1N3820-34350 | HANDLE, CHUTE | 1 | 1 | | | | | | |
| 2 | 1 | 1N3021-34390 | SPACER 10X14X1 | 1 | 1 | | | | | | |
| 3 | 1 | 1N3820-34500 | STAY, CHUTE HANDLE | 1 | 1 | | | | | | |
| 4 | 1 | 1N3390-34530 | SUPPORT,HANDLE | 1 | 1 | | | | | | |
| 5 | 1 | 1N3390-34600 | ROD,CONNECTION | 1 | 1 | | | | | | |
| 6 | 1 | 1N3330-34651 | JOINT, CONNECTING | 1 | 1 | | | | | | |
| 7 | 1 | 1N3330-34700 | JOINT FULCRUM | 1 | 1 | | | | | | |
| 8 | 1 | 1N3021-34710 | JOINT FULCRUM,PIN 8 | 1 | 1 | | | | | | |
| 9 | 1 | 1N3021-34720 | RIVET 4X27.5 | 1 | 1 | | | | | | |
| 10 | 1 | 1N1711-35520 | GRIP,SHOOT | 1 | 1 | | | | | | |
| 11 | 1 | 1F5300-43300 | BUSH 1015 | 1 | 1 | | | | | | |
| 12 | 1 | 1N3260-73250 | RIVET 4X19.5 | 1 | 1 | | | | | | |
| 13 | 1 | 22137-060000 | WASHER 6, POLISHED | 1 | 1 | | | | | | |
| 14 | 1 | 22137-080000 | WASHER 8, POLISHED | 1 | 1 | | | | | | |
| 15 | 1 | 22372-040000 | SNAP PIN 4 | 1 | 1 | | | | | | |
| 16 | 1 | 22417-200100 | COTTER PIN 2.0X10 | 1 | 1 | | | | | | |
| 17 | 1 | 22417-200160 | COTTER PIN 2.0X16 | 1 | 1 | | | | | | |
| 18 | 1 | 26018-080204 | BOLT M 8X 20 | 1 | 1 | | | | | | |
| 19 | 1 | 26717-080002 | NUT 8 | 1 | 1 | | | | | | |
| 20 | 1 | 26717-080002 | NUT 8 | 1 | 1 | | | | | | |

Fig.15. CHASSIS FRAME



0CNP4-G48100 15. CHASSIS FRAME

(A)=YSR90W
(B)=YSR90W-S
(C)=

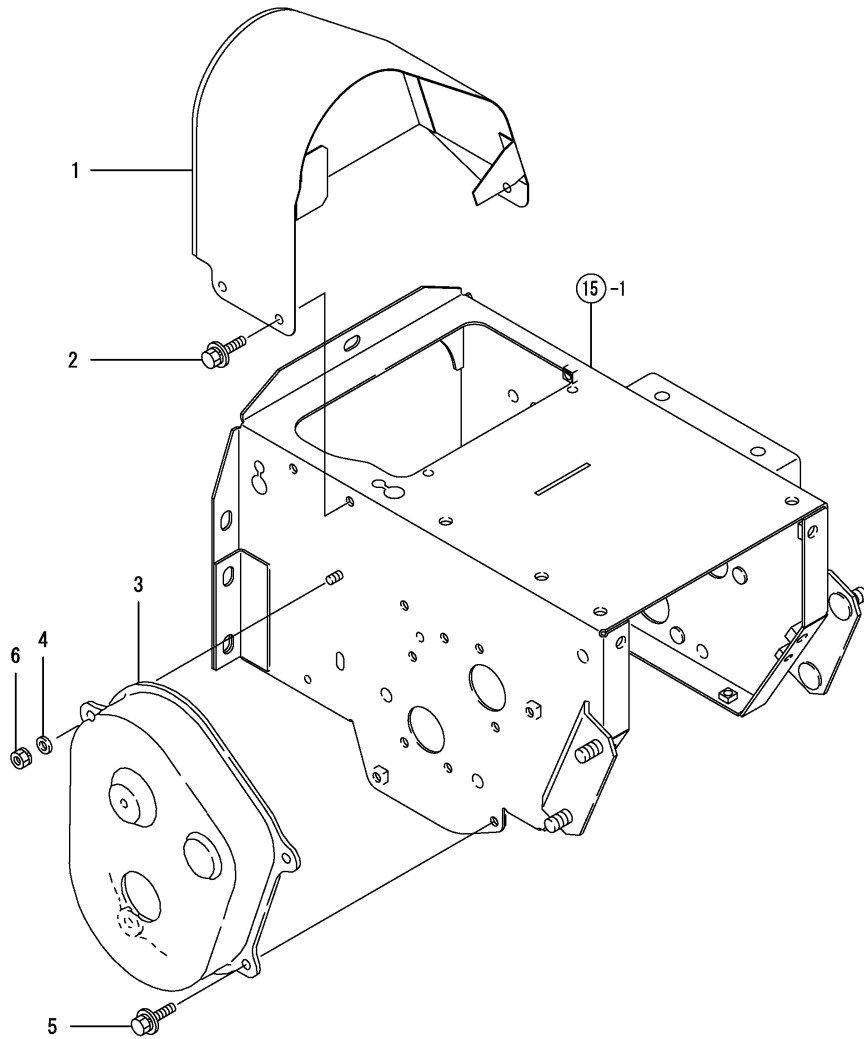
(D)=
(E)=
(F)=

| REF. | LEV. | PARTS NO. | DESCRIPTION | QTY | | | | | | I | R |
|------|------|----------------|----------------|-----|-----|-----|-----|-----|-----|---|---|
| | | | | (A) | (B) | (C) | (D) | (E) | (F) | | |
| 1 | 1 | 1N3820-36000 | CHASSIS, | 1 | 1 | | | | | | |
| 2 | 1 | 1N3300-36100-1 | REAR,CHASSIS | 1 | 1 | | | | | | |
| 3 | 1 | 1N3300-36200-1 | BOTTOM,CHASSIS | 1 | 1 | | | | | | |
| 4 | 1 | 26018-060124 | BOLT M 6X 12 | 7 | 7 | | | | | | |
| 5 | 1 | 26018-080164 | BOLT M 8X 16 | 6 | 6 | | | | | | |

Fig.16. BELT & GEAR COVER

(A)=YSR90W
(B)=YSR90W-S
(C)=

(D)=
(E)=
(F)=



| REF. | LEV. | PARTS NO. | DESCRIPTION | QTY | | | | | | I | R |
|------|------|----------------|---------------------|-----|-----|-----|-----|-----|-----|---|---|
| | | | | (A) | (B) | (C) | (D) | (E) | (F) | | |
| 1 | 1 | 7N3810-37000 | PL.ASSY.,BELT COVER | 1 | 1 | | | | | | |
| 2 | 1 | 26018-060124 | BOLT M 6X 12 | 3 | 3 | | | | | | |
| 3 | 1 | 1N3300-37100-1 | COVER, GEAR | 1 | 1 | | | | | | |
| 4 | 1 | 22137-060000 | WASHER 6, POLISHED | 1 | 1 | | | | | | |
| 5 | 1 | 26018-060122 | BOLT M 6X 12 | 3 | 3 | | | | | | |
| 6 | 1 | 26051-060002 | NUT M 6 | 1 | 1 | | | | | | |

Fig.17. TIRE

(A)=YSR90W
 (B)=YSR90W-S
 (C)=

(D)=
 (E)=
 (F)=

| REF. | LEV. | PARTS NO. | DESCRIPTION | Q'TY | | | | | | | |
|------|------|----------------|---------------------|------|-----|-----|-----|-----|-----|---|---|
| | | | | (A) | (B) | (C) | (D) | (E) | (F) | I | R |
| 1 | 1 | 1N3300-38000-1 | BOSS,HOUNTING,HUB | 2 | 2 | | | | | | |
| 2 | 1 | 1N3300-38101 | TIRE, | 2 | 2 | | | | | | |
| 3 | 1 | 1N3300-38200 | COLLAR 20X25X62 | 1 | 1 | | | | | | |
| 4 | 1 | 1N3300-38250 | COLLAR (20X25X90 | 1 | 1 | | | | | | |
| 5 | 1 | 22157-080000 | WASHER 8 | 2 | 2 | | | | | | |
| 6 | 1 | 22217-080000 | SPRING WASHER 8 | 2 | 2 | | | | | | |
| 7 | 1 | 22217-120000 | SPRING WASHER 12 | 8 | 8 | | | | | | |
| 8 | 1 | 22512-050300 | KEY 5X 30 | 2 | 2 | | | | | | |
| 9 | 1 | 26116-080252 | BOLT M 8X 25 PLATED | 2 | 2 | | | | | | |
| 10 | 1 | 26117-120252 | BOLT M12X 25 PLATED | 8 | 8 | | | | | | |
| 11 | 1 | 26717-120002 | NUT M12 | 8 | 8 | | | | | | |

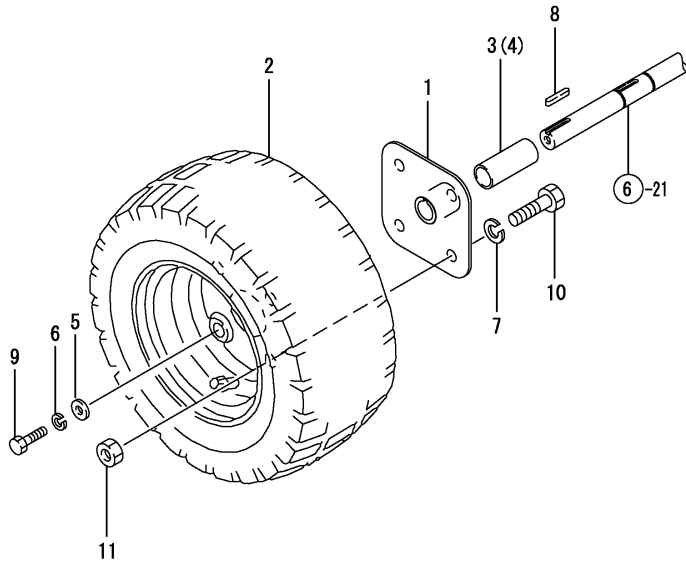


Fig.18. BATTERY

(A)=YSR90W
(B)=YSR90W-S
(C)=

(D)=
(E)=
(F)=

| REF. | LEV. | PARTS NO. | DESCRIPTION | QTY | | | | | | I | R |
|------|------|--------------|-----------------------|-----|-----|-----|-----|-----|-----|---|---|
| | | | | (A) | (B) | (C) | (D) | (E) | (F) | | |
| 1 | 1 | 1N3300-51010 | BATTERY YB12AL-A | | 1 | | | | | | |
| 2 | 1 | 1N3300-51100 | COVER, BATTERY | | 1 | | | | | | |
| 3 | 1 | 1N3300-51150 | PLATE, BATTERY KEEP | | 1 | | | | | | |
| 4 | 1 | 1N3300-51200 | BAR, BATTERY RETAINER | | 2 | | | | | | |
| 5 | 1 | 1N3300-51250 | GUIDE, BATTERY | | 1 | | | | | | |
| 6 | 1 | 1N3300-51300 | CABLE, BATTERY POSIT. | | 1 | | | | | | |
| 7 | 1 | 1N1710-51350 | PIPE, VINYL | | 1 | | | | | | |
| 8 | 1 | 1N3300-51350 | CABLE, BATTERY NEG. | | 1 | | | | | | |
| 9 | 1 | 22117-080000 | WASHER 8 | | 1 | | | | | | |
| 10 | 1 | 22157-060000 | WASHER 6 | | 2 | | | | | | |
| 11 | 1 | 26016-080164 | BOLT M 8X 16 | | 1 | | | | | | |
| 12 | 1 | 26051-060002 | NUT M 6 | | 2 | | | | | | |
| 13 | 1 | 26051-080002 | NUT M 8 | | 1 | | | | | | |

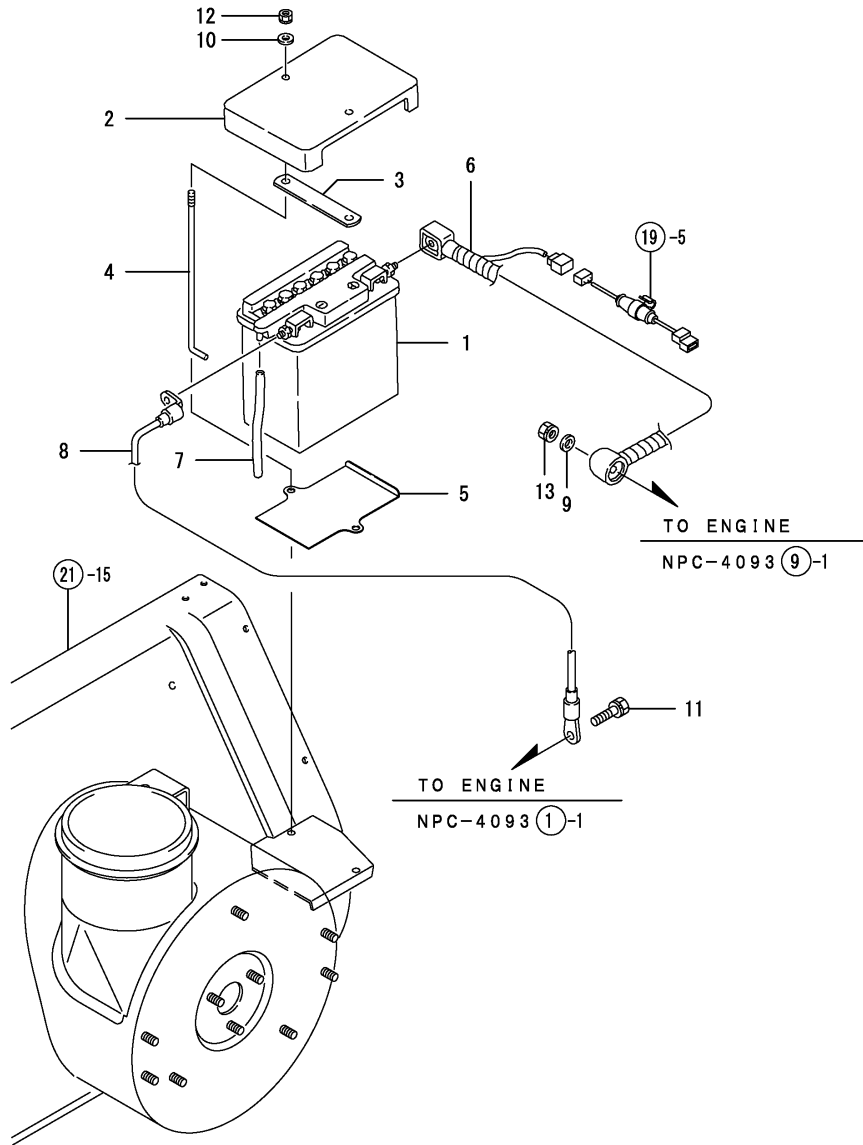
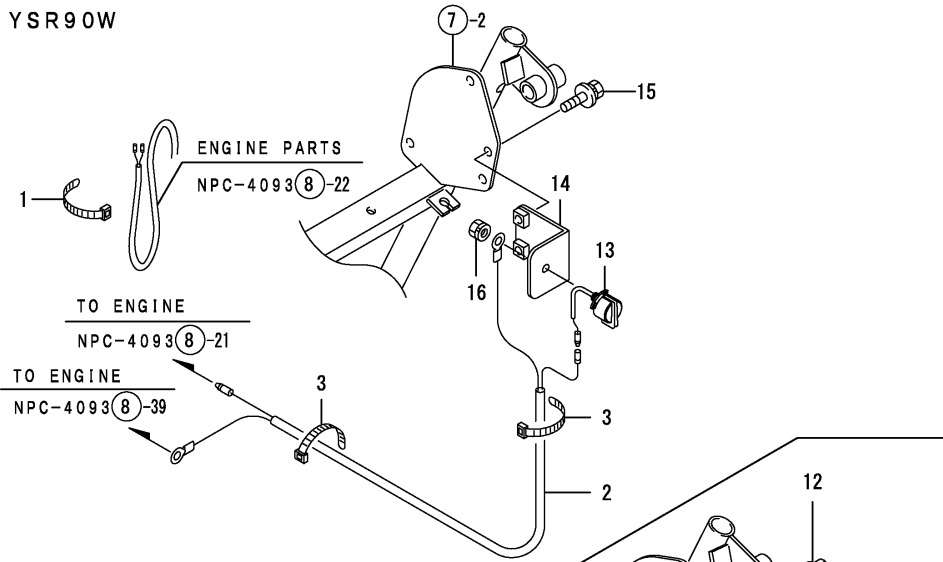


Fig.19. HARNESS & SWITCH

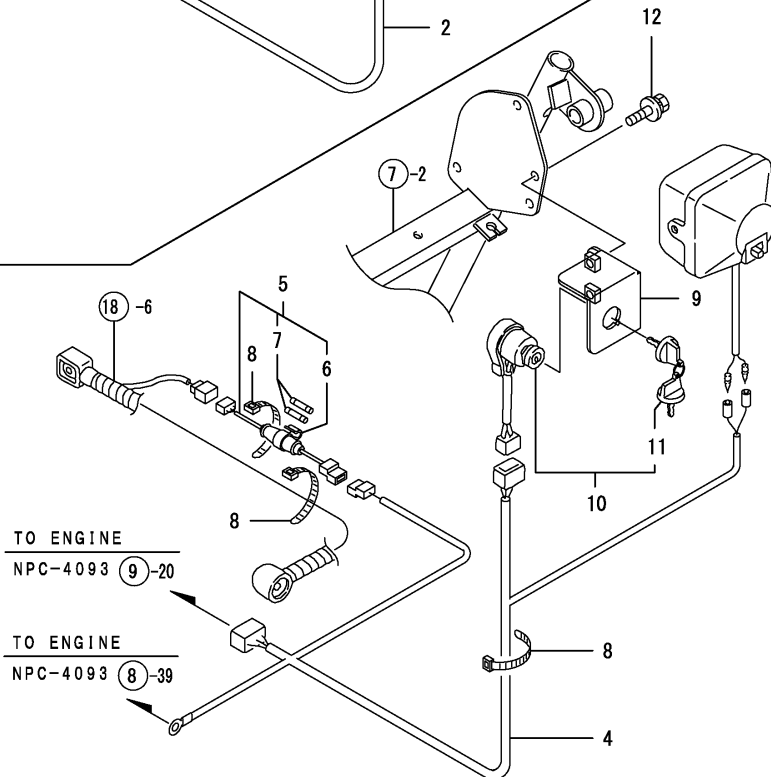
(A)=YSR90W
(B)=YSR90W-S
(C)=

(D)=
(E)=
(F)=

YSR90W



YSR90W-S

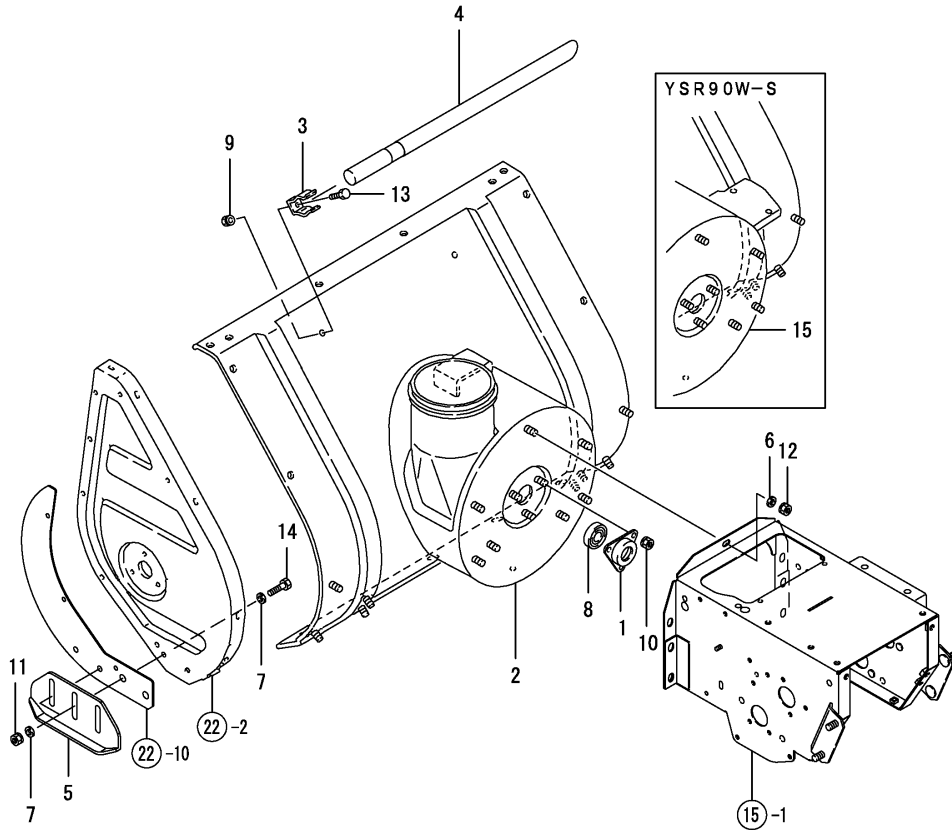


| REF. | LEV. | PARTS NO. | DESCRIPTION | QTY | | | | | | I | R |
|------|------|----------------|----------------------|-----|-----|-----|-----|-----|-----|---|---|
| | | | | (A) | (B) | (C) | (D) | (E) | (F) | | |
| 1 | 1 | 1J3999-07000 | BAND 100B | 1 | | | | | | | |
| 2 | 1 | 1N3300-51400 | HARNESS (T) | 1 | | | | | | | |
| 3 | 1 | 1E6102-84970 | BAND 140,WIRE LOCK | 2 | | | | | | | |
| 4 | 1 | 1N3390-51000 | HARNESS | | 1 | | | | | | |
| 5 | 1 | 1N3021-51550 | HOLDER ASSY.,FUSE | | 1 | | | | | | |
| 6 | 2 | 1N3021-51560 | HOLDER, FUSE | | 1 | | | | | | |
| 7 | 2 | 29411-200000 | FUSE (20A),CARTRIDGE | | 2 | | | | | | |
| 8 | 1 | 1E6102-84970 | BAND 140,WIRE LOCK | | 3 | | | | | | |
| 9 | 1 | 1N3300-51552-1 | | | 1 | | | | | | |
| 10 | 1 | 1N3021-52300 | SWITCH ASSY.,KEY | | 1 | | | | | | |
| 11 | 2 | 160797-77270 | KEY, REVERSE | | 1 | | | | | | |
| 12 | 1 | 26018-080164 | BOLT M 8X 16 | | 2 | | | | | | |
| 13 | 1 | 1A1470-40900 | SWITCH,STOP | | 1 | | | | | | |
| 14 | 1 | 1N3300-51451-1 | SEAT,SWICH T | | 1 | | | | | | |
| 15 | 1 | 26018-080164 | BOLT M 8X 16 | | 2 | | | | | | |
| 16 | 1 | 26051-080002 | NUT M 8 | | 1 | | | | | | |

Fig.21. SNOW REMOVING FRAME

(A)=YSR90W
(B)=YSR90W-S
(C)=

(D)=
(E)=
(F)=

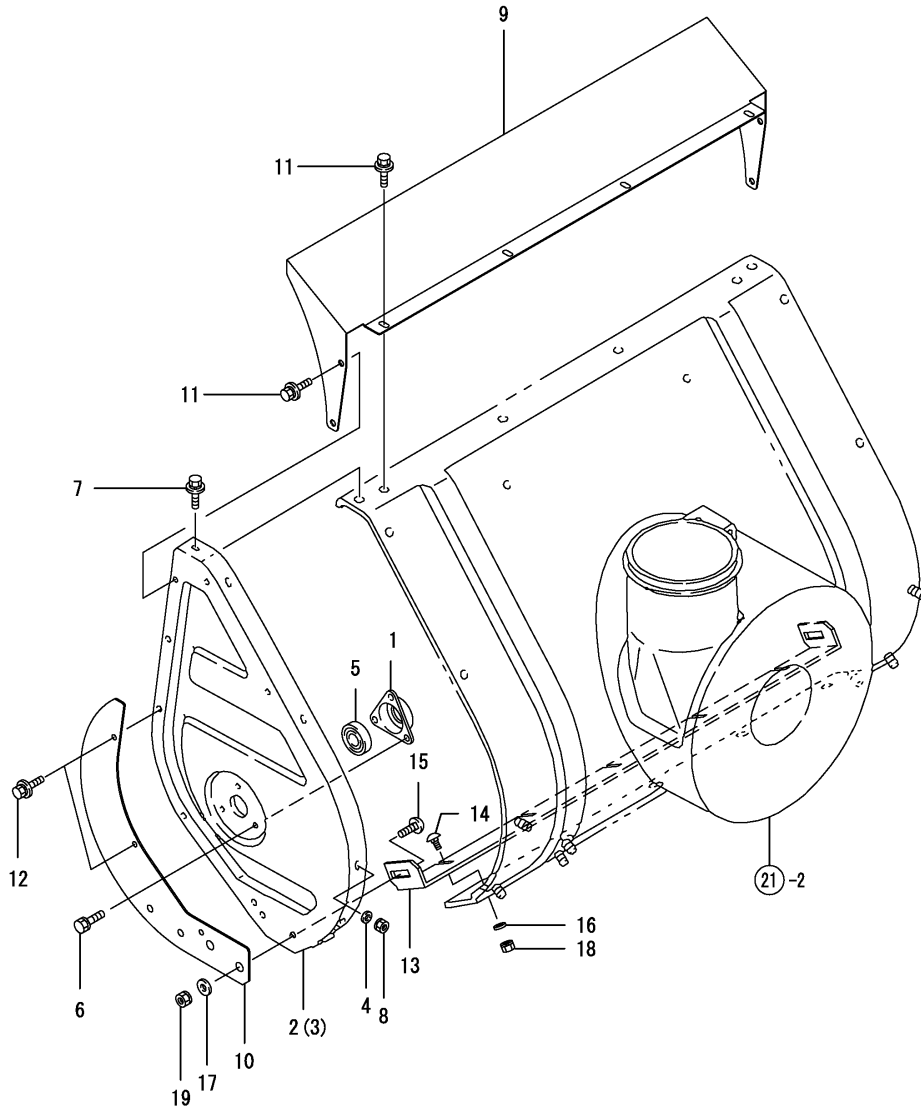


| REF. | LEV. | PARTS NO. | DESCRIPTION | QTY | | | | | | I | R |
|------|------|----------------|---------------------|-----|-----|-----|-----|-----|-----|---|---|
| | | | | (A) | (B) | (C) | (D) | (E) | (F) | | |
| 1 | 1 | 1N1570-38210 | BEARING 6203B | 1 | 1 | | | | | | |
| 2 | 1 | 1N3300-71000 | FRAME,SNOW REMOVING | 1 | | | | | | | |
| 3 | 1 | 1N1710-71062 | STOPPER | 2 | 2 | | | | | | |
| 4 | 1 | 1N1710-71072 | ROD,SNOW SHOVELING | 1 | 1 | | | | | | |
| 5 | 1 | 1N3300-71401-1 | SHOE | 2 | 2 | | | | | | |
| 6 | 1 | 22137-080000 | WASHER 8, POLISHED | 5 | 5 | | | | | | |
| 7 | 1 | 22137-080000 | WASHER 8, POLISHED | 8 | 8 | | | | | | |
| 8 | 1 | 24104-062034 | BALL BEARING | 1 | 1 | | | | | | |
| 9 | 1 | 26051-060002 | NUT M 6 | 2 | 2 | | | | | | |
| 10 | 1 | 26051-080002 | NUT M 8 | 3 | 3 | | | | | | |
| 11 | 1 | 26051-080002 | NUT M 8 | 4 | 4 | | | | | | |
| 12 | 1 | 26051-080002 | NUT M 8 | 5 | 5 | | | | | | |
| 13 | 1 | 26117-060122 | BOLT M 6X 12 PLATED | 2 | 2 | | | | | | |
| 14 | 1 | 26117-080202 | BOLT M 8X 20 PLATED | 4 | 4 | | | | | | |
| 15 | 1 | 1N3300-71100 | FRAME,SNOW REMOVING | 1 | | | | | | | |

Fig.22. AUGER COVER

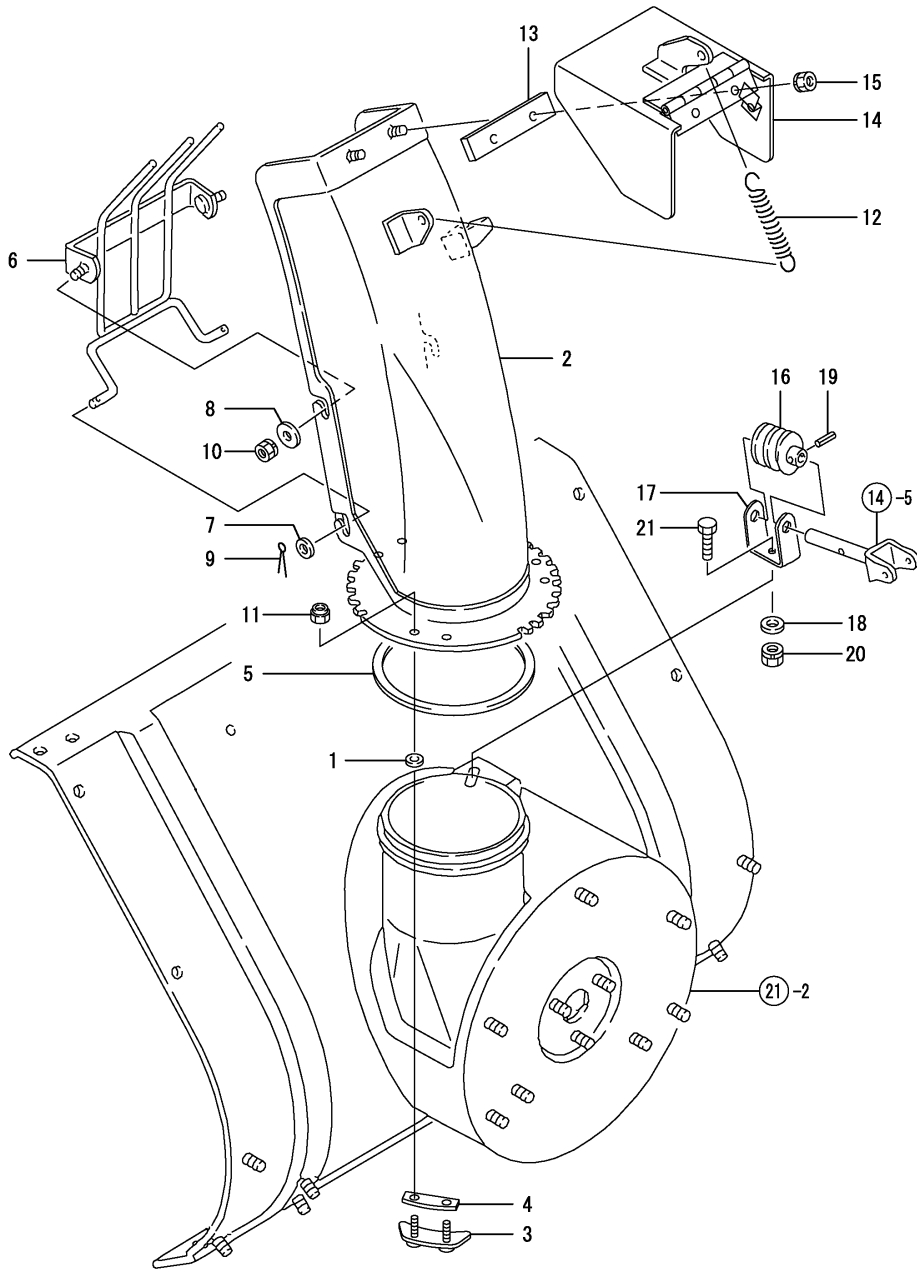
(A)=YSR90W
(B)=YSR90W-S
(C)=

(D)=
(E)=
(F)=



| REF. | LEV. | PARTS NO. | DESCRIPTION | QTY | | | | | | I | R |
|------|------|----------------|----------------------|-----|-----|-----|-----|-----|-----|---|---|
| | | | | (A) | (B) | (C) | (D) | (E) | (F) | | |
| 1 | 1 | 1N1570-38200 | BEARING 6203C | 2 | 2 | | | | | | |
| 2 | 1 | 1N1720-82221 | PLATE L CMP,AUGER SD | 1 | 1 | | | | | | |
| 3 | 1 | 1N1720-82241 | PLATE R CMP,AUGER SD | 1 | 1 | | | | | | |
| 4 | 1 | 22137-060000 | WASHER 6, POLISHED | 4 | 4 | | | | | | |
| 5 | 1 | 24104-062034 | BALL BEARING | 2 | 2 | | | | | | |
| 6 | 1 | 26016-080164 | BOLT M 8X 16 | 6 | 6 | | | | | | |
| 7 | 1 | 26018-060124 | BOLT M 6X 12 | 6 | 6 | | | | | | |
| 8 | 1 | 26051-060002 | NUT M 6 | 4 | 4 | | | | | | |
| 9 | 1 | 7N3405-71500 | PL.ASSY,CASE COVER | 1 | 1 | | | | | | |
| 10 | 1 | 1N3300-71551 | COVER,AUGER SIDE 9W | 2 | 2 | | | | | | |
| 11 | 1 | 26018-060124 | BOLT M 6X 12 | 8 | 8 | | | | | | |
| 12 | 1 | 26018-060124 | BOLT M 6X 12 | 4 | 4 | | | | | | |
| 13 | 1 | 1N3300-71301-1 | PLATE,BOTTOM(710 | 1 | 1 | | | | | | |
| 14 | 1 | 1N3300-71320 | BOLT | 5 | 5 | | | | | | |
| 15 | 1 | 1N3300-71330 | BOLT | 2 | 2 | | | | | | |
| 16 | 1 | 22137-060000 | WASHER 6, POLISHED | 5 | 5 | | | | | | |
| 17 | 1 | 22157-080000 | WASHER 8 | 2 | 2 | | | | | | |
| 18 | 1 | 26051-060002 | NUT M 6 | 5 | 5 | | | | | | |
| 19 | 1 | 26051-080002 | NUT M 8 | 2 | 2 | | | | | | |

Fig.23. CHUTE



(A)=YSR90W
(B)=YSR90W-S
(C)=

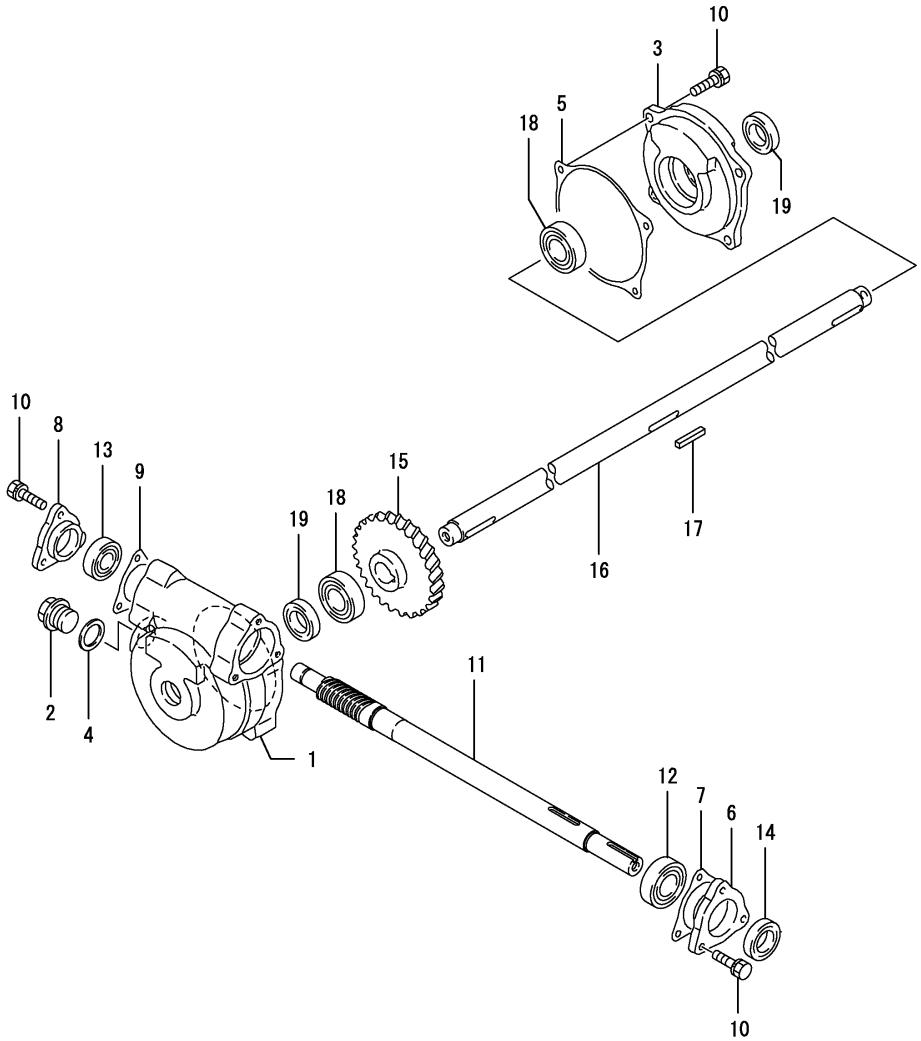
(D)=
(E)=
(F)=

| REF. | LEV. | PARTS NO. | DESCRIPTION | QTY | | | | | | I | R |
|------|------|----------------|----------------------|-----|-----|-----|-----|-----|-----|---|---|
| | | | | (A) | (B) | (C) | (D) | (E) | (F) | | |
| 1 | 1 | 1J3999-02160 | WASHER | 6 | 6 | | | | | | |
| 2 | 1 | 7N3390-73000 | PL.ASSY,CHUTE | 1 | 1 | | | | | | |
| 3 | 1 | 1N3021-73201 | FIXTURE A,SHOOTER | 3 | 3 | | | | | | |
| 4 | 1 | 1N1711-73240 | SPACER | 3 | 3 | | | | | | |
| 5 | 1 | 1N1711-73280 | PLATE,FLOOR | 1 | 1 | | | | | | |
| 6 | 1 | 1N1960-73502 | GUARD | 1 | 1 | | | | | | |
| 7 | 1 | 22137-060000 | WASHER 6, POLISHED | 2 | 2 | | | | | | |
| 8 | 1 | 22157-060000 | WASHER 6 | 2 | 2 | | | | | | |
| 9 | 1 | 22417-200120 | COTTER PIN 2.0X12 | 2 | 2 | | | | | | |
| 10 | 1 | 26051-060002 | NUT M 6 | 2 | 2 | | | | | | |
| 11 | 1 | 26347-060002 | U-NUT M 6 | 6 | 6 | | | | | | |
| 12 | 1 | 1N1570-73150 | SPRING,CHUTE | 1 | 1 | | | | | | |
| 13 | 1 | 1N1711-73170 | RUBBER,SNOW PROTECT. | 1 | 1 | | | | | | |
| 14 | 1 | 1N3300-73202-1 | DEFLECTOR, CHUTE 9W | 1 | 1 | | | | | | |
| 15 | 1 | 26051-060002 | NUT M 6 | 2 | 2 | | | | | | |
| 16 | 1 | 1N3390-73300 | WORM,3X3L | 1 | 1 | | | | | | |
| 17 | 1 | 1N3390-73350 | BEAKING,WORM | 1 | 1 | | | | | | |
| 18 | 1 | 22137-080000 | WASHER 8, POLISHED | 1 | 1 | | | | | | |
| 19 | 1 | 22351-050020 | SPRING PIN 5X20 | 1 | 1 | | | | | | |
| 20 | 1 | 26051-080002 | NUT M 8 | 1 | 1 | | | | | | |
| 21 | 1 | 26117-080162 | BOLT M 8X 16 PLATED | 1 | 1 | | | | | | |

Fig.24. GEAR CASE

(A)=YSR90W
(B)=YSR90W-S
(C)=

(D)=
(E)=
(F)=



| REF. | LEV. | PARTS NO. | DESCRIPTION | Q'TY | | | | | | I | R |
|-------|------|-------------------------|----------------------|------|-----|-----|-----|-----|-----|---|---|
| | | | | (A) | (B) | (C) | (D) | (E) | (F) | | |
| 1 | 1 | 1N1710-74002-1 | CASE,GEAR | 1 | 1 | | | | | | |
| 2 | 1 | 1N1711-74000 | BOLT,DRAIN | 1 | 1 | | | | | | |
| 3 | 1 | 1N1710-74012-1 | COVER C,SNAP-IN | 1 | 1 | | | | | | |
| 4 | 1 | 1N1711-74010 | PACKING 20X28X2,CU | 1 | 1 | | | | | | |
| I 4-1 | 1 | 22190-200000 | SEAL WASHER 20(BOLT) | 1 | 1 | | | | | | N |
| | | (A=F010843) (B=F010843) | | | | | | | | | |
| 5 | 1 | 1N1570-74050 | PACKING C | 1 | 1 | | | | | | |
| 6 | 1 | 1N1570-74110-1 | COVER A,KEEP | 1 | 1 | | | | | | |
| 7 | 1 | 1N1570-74120 | PACKING A | 1 | 1 | | | | | | |
| 8 | 1 | 1N1570-74130-1 | COVER B,KEEP | 1 | 1 | | | | | | |
| 9 | 1 | 1N1570-74140 | PACKING B | 1 | 1 | | | | | | |
| 10 | 1 | 26016-060202 | BOLT M 6X 20 | 10 | 10 | | | | | | |
| 11 | 1 | 1N3820-74100 | SHAFT, WORM | 1 | 1 | | | | | | |
| 12 | 1 | 24107-060044 | BALL BEARING | 1 | 1 | | | | | | |
| 13 | 1 | 24107-062024 | BALL BEARING | 1 | 1 | | | | | | |
| 14 | 1 | 24421-203508 | SEAL, OIL | 1 | 1 | | | | | | |
| 15 | 1 | 1N1710-74021 | WHEEL,WORM | 1 | 1 | | | | | | |
| 16 | 1 | 1N3370-74200 | SHAFT 710,AUGER | 1 | 1 | | | | | | |
| 17 | 1 | 22550-050300 | KEY 5X30 | 1 | 1 | | | | | | |
| 18 | 1 | 24101-060044 | BALL BEARING #6004 | 2 | 2 | | | | | | |
| 19 | 1 | 24421-203508 | SEAL, OIL | 2 | 2 | | | | | | |

Fig.25. AUGER & BLOWER

(A)=YSR90W
(B)=YSR90W-S
(C)=

(D)=
(E)=
(F)=

| REF. | LEV. | PARTS NO. | DESCRIPTION | QTY | | | | | | I | R |
|------|------|----------------|---------------------|-----|-----|-----|-----|-----|-----|---|---|
| | | | | (A) | (B) | (C) | (D) | (E) | (F) | | |
| 1 | 1 | 1N3300-75001-1 | AUGER,L 9W | 1 | 1 | | | | | | |
| 2 | 1 | 1N3300-75101-1 | AUGER,R 9W | 1 | 1 | | | | | | |
| 3 | 1 | 1N3330-75200-1 | FLANGE,AUGER | 2 | 2 | | | | | | |
| 4 | 1 | 22157-080000 | WASHER 8 | 2 | 2 | | | | | | |
| 5 | 1 | 22217-080000 | SPRING WASHER 8 | 2 | 2 | | | | | | |
| 6 | 1 | 22550-050300 | KEY 5X30 | 2 | 2 | | | | | | |
| 7 | 1 | 26116-060202 | BOLT M 6X 20 | 2 | 2 | | | | | | |
| 8 | 1 | 26116-080162 | BOLT 8X16 | 2 | 2 | | | | | | |
| 9 | 1 | 26116-080252 | BOLT M 8X 25 PLATED | 2 | 2 | | | | | | |
| 10 | 1 | 26347-060002 | U-NUT M 6 | 2 | 2 | | | | | | |
| 11 | 1 | 26717-080002 | NUT 8 | 2 | 2 | | | | | | |
| 12 | 1 | 1N3370-76000-1 | BLOWER ASSY | 1 | 1 | | | | | | |
| 13 | 1 | 22550-050300 | KEY 5X30 | 1 | 1 | | | | | | |
| 14 | 1 | 26116-080202 | BOLT M 8X 20 PLATED | 1 | 1 | | | | | | |
| 15 | 1 | 26717-080002 | NUT 8 | 1 | 1 | | | | | | |

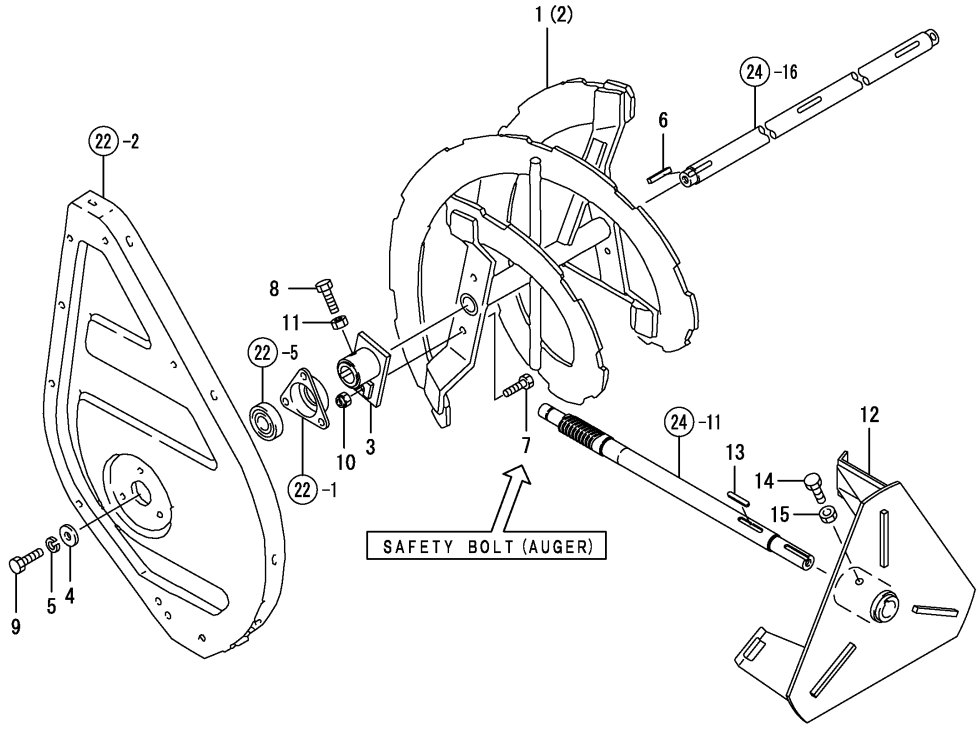
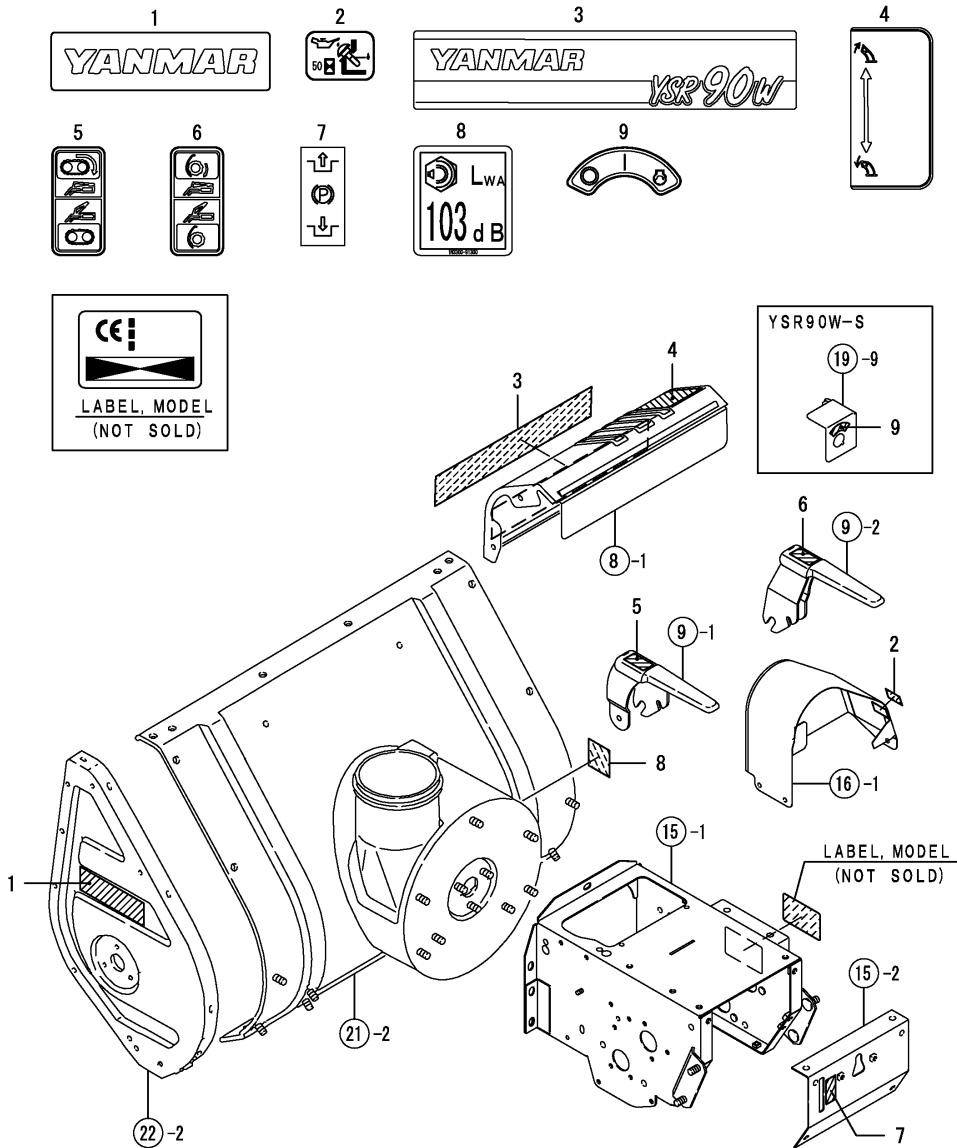


Fig.26. LABELS



(A)=YSR90W
(B)=YSR90W-S
(C)=

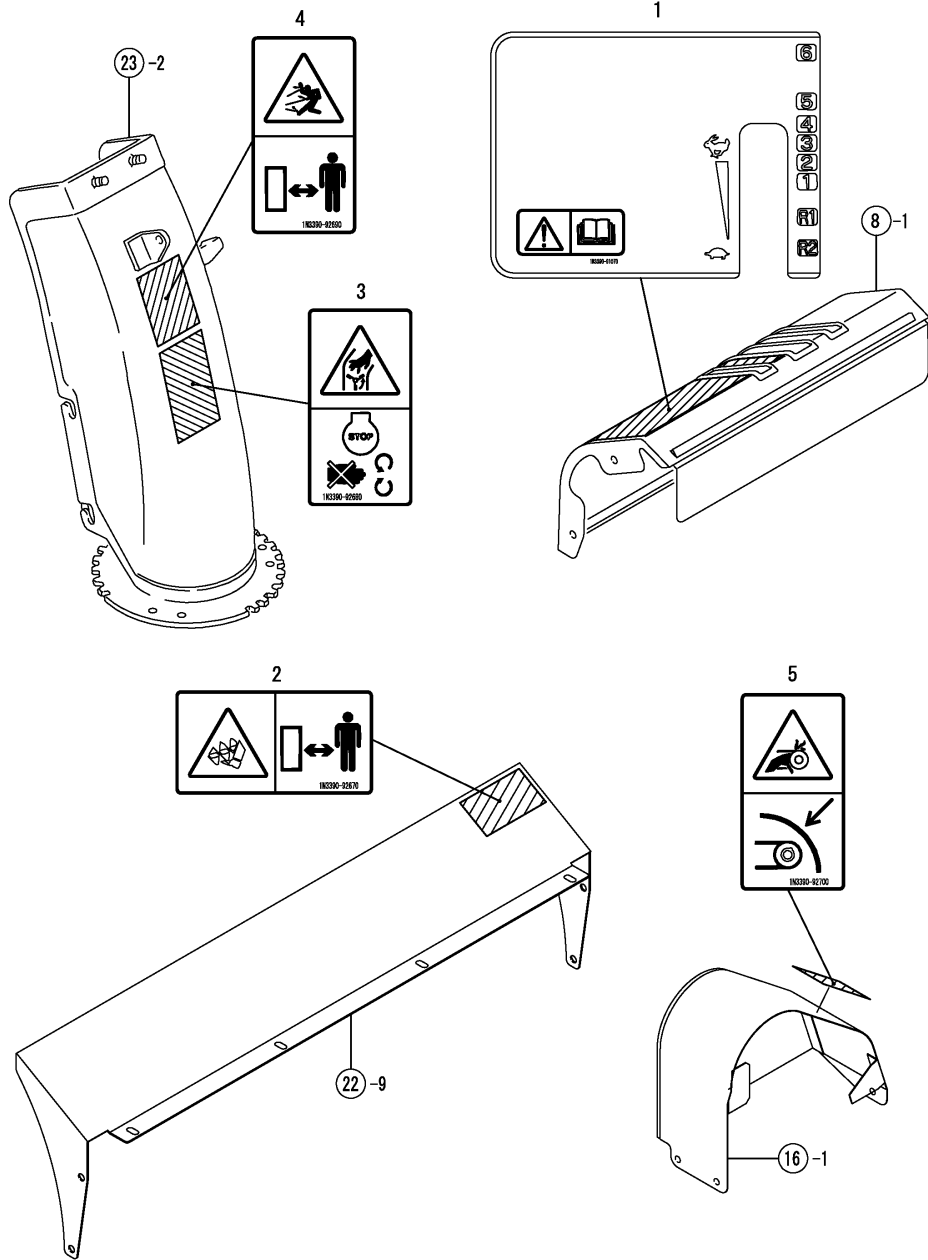
(D)=
(E)=
(F)=

| REF. | LEV. | PARTS NO. | DESCRIPTION | QTY | | | | | | I | R |
|------|------|--------------|----------------------|-----|-----|-----|-----|-----|-----|---|---|
| | | | | (A) | (B) | (C) | (D) | (E) | (F) | | |
| 1 | 1 | 1N1711-68190 | MARK C YANMAR | 2 | 2 | | | | | | |
| 2 | 1 | 1N1711-68220 | MARK,OIL CHECK | 1 | 1 | | | | | | |
| 3 | 1 | 1N3820-91050 | MARK, MODEL | 1 | 1 | | | | | | |
| 4 | 1 | 1N3390-91080 | MARK | 1 | 1 | | | | | | |
| 5 | 1 | 1N3021-91100 | MARK,TRAVEL CLUTCH | 1 | 1 | | | | | | |
| 6 | 1 | 1N3021-91110 | MARK,SNOW REM.CLUTCH | 1 | 1 | | | | | | |
| 7 | 1 | 1N3400-91260 | MARK | 1 | 1 | | | | | | |
| 8 | 1 | 1N3300-91300 | MARK, SOUND LEVEL | 1 | 1 | | | | | | |
| 9 | 1 | 1N3390-91090 | MARK,SWITCH | | 1 | | | | | | |

Fig.27. LABELS(SAFETY)

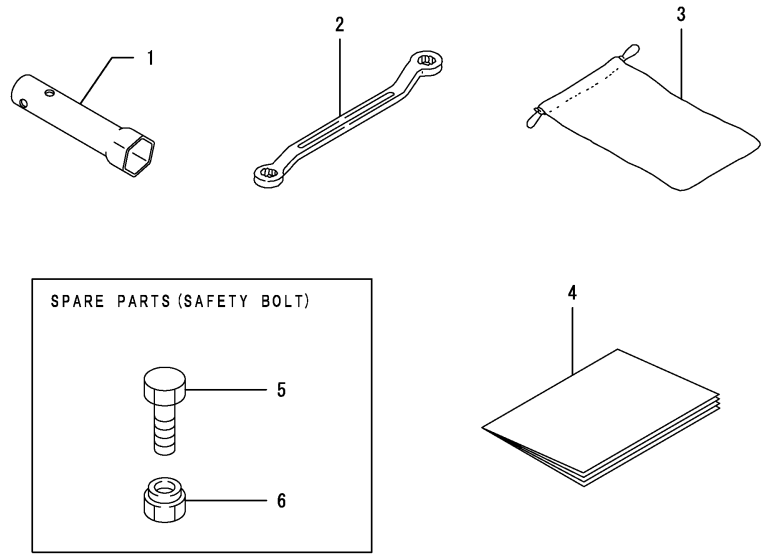
(A)=YSR90W
(B)=YSR90W-S
(C)=

(D)=
(E)=
(F)=



| REF. | LEV. | PARTS NO. | DESCRIPTION | QTY | | | | | | I | R |
|------|------|--------------|---------------|-----|-----|-----|-----|-----|-----|---|---|
| | | | | (A) | (B) | (C) | (D) | (E) | (F) | | |
| 1 | 1 | 1N3390-91070 | LABEL,CAUTION | 1 | 1 | | | | | | |
| 2 | 1 | 1N3390-92670 | LABEL,DANGER | 1 | 1 | | | | | | |
| 3 | 1 | 1N3390-92680 | LABEL,WARNING | 1 | 1 | | | | | | |
| 4 | 1 | 1N3390-92690 | LABEL,WARNING | 1 | 1 | | | | | | |
| 5 | 1 | 1N3390-92700 | LABEL,CAUTION | 1 | 1 | | | | | | |

Fig.28. TOOLS & ACCESSORIES

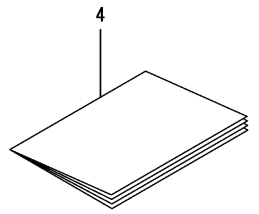
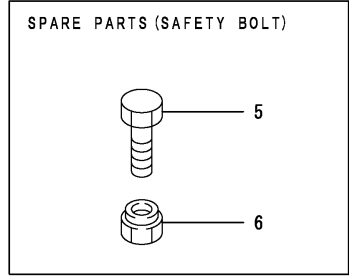


OCNP4-G48100 28. TOOLS & ACCESSORIES

(A)=YSR90W
(B)=YSR90W-S
(C)=

(D)=
(E)=
(F)=

| REF. | LEV. | PARTS NO. | DESCRIPTION | Q'TY | | | | | | I | R |
|------|------|--------------|------------------|------|-----|-----|-----|-----|-----|---|---|
| | | | | (A) | (B) | (C) | (D) | (E) | (F) | | |
| 1 | 1 | 160120-92700 | SPANNER, BOX | 1 | 1 | | | | | | |
| 2 | 1 | 28160-100120 | WRENCH 10X12 | 1 | 1 | | | | | | |
| 3 | 1 | 1F1150-92000 | BAG, TOOL | 1 | 1 | | | | | | |
| 4 | 1 | 1N3300-96100 | OPERATORS MANUAL | 1 | 1 | | | | | | |
| 5 | 1 | 26116-060202 | BOLT M 6X 20 | 10 | 10 | | | | | | 1 |
| 6 | 1 | 26347-060002 | U-NUT M 6 | 10 | 10 | | | | | | 1 |



Remarks
(1) IT IS A SPARE PART FOR SAFETY BOLT, GROUP NO.25, REF. NO.7.

Part Number Index

All parts are stipulated in the order of part numbers.

(Depending on the area in which the part is used.)

This index will display the location of the part according to each part number.

PARTS No. INDEX

| PARTS No. | Fig. | Ref.No. |
|----------------|------|---------|
| 160120-92700 | 28 | 1 |
| 160797-77270 | 19 | 11 |
| 194273-47910 | 1 | 26 |
| 1A1140-58050 | 13 | 6 |
| 1A1470-40900 | 19 | 13 |
| 1C1011-45020 | 10 | 22 |
| 1C6320-64680 | 11 | 6 |
| | 13 | 7 |
| 1E4760-43090 | 12 | 5 |
| 1E6102-84970 | 19 | 3 |
| | | 8 |
| 1E6570-64760 | 11 | 7 |
| 1E6740-64200 | 12 | 6 |
| 1E7030-51301-1 | 2 | 10 |
| 1F1150-23140 | 6 | 5 |
| 1F1150-92000 | 28 | 3 |
| 1F5300-43300 | 14 | 11 |
| 1J3999-02010 | 1 | 7 |
| | 4 | 15 -1 |
| | 5 | 6 -1 |
| 1J3999-02160 | 23 | 1 |
| 1J3999-06000 | 10 | 14 |
| 1J3999-07000 | 10 | 1 |
| | 13 | 1 |
| | 19 | 1 |
| 1N1570-21200 | 4 | 2 |
| 1N1570-21300 | 4 | 5 |
| 1N1570-21600 | 6 | 1 |
| 1N1570-32950 | 12 | 4 |
| 1N1570-38200 | 22 | 1 |
| 1N1570-38210 | 21 | 1 |
| 1N1570-51130 | 1 | 27 |
| 1N1570-73150 | 23 | 12 |
| 1N1570-74050 | 24 | 5 |
| 1N1570-74110-1 | 24 | 6 |
| 1N1570-74120 | 24 | 7 |
| 1N1570-74130-1 | 24 | 8 |
| 1N1570-74140 | 24 | 9 |
| 1N1710-32600 | 1 | 8 |
| | 10 | 7 |
| 1N1710-51350 | 18 | 7 |
| 1N1710-71062 | 21 | 3 |
| 1N1710-71072 | 21 | 4 |
| 1N1710-74002-1 | 24 | 1 |
| 1N1710-74012-1 | 24 | 3 |
| 1N1710-74021 | 24 | 15 |
| 1N1710-82140 | 7 | 3 |
| 1N1711-35520 | 14 | 10 |
| 1N1711-51850 | 20 | 3 |
| 1N1711-51860 | 20 | 4 |

| PARTS No. | Fig. | Ref.No. |
|----------------|------|---------|
| 1N1711-68190 | 26 | 1 |
| 1N1711-68220 | 26 | 2 |
| 1N1711-73170 | 23 | 13 |
| 1N1711-73240 | 23 | 4 |
| 1N1711-73280 | 23 | 5 |
| 1N1711-74000 | 24 | 2 |
| 1N1711-74010 | 24 | 4 |
| 1N1720-21211 | 4 | 4 |
| 1N1720-82221 | 22 | 2 |
| 1N1720-82241 | 22 | 3 |
| 1N1723-00061-1 | 1 | 2 |
| 1N1723-00280 | 1 | 4 |
| 1N1723-00331 | 1 | 5 |
| 1N1723-00350 | 1 | 6 |
| 1N1723-32350 | 11 | 5 |
| | 13 | 2 |
| 1N1960-73502 | 23 | 6 |
| 1N3021-00250 | 1 | 3 |
| 1N3021-31451 | 10 | 17 |
| 1N3021-31480 | 10 | 18 |
| 1N3021-31580 | 2 | 9 |
| | 10 | 20 |
| 1N3021-34390 | 14 | 2 |
| 1N3021-34710 | 14 | 8 |
| 1N3021-34720 | 14 | 9 |
| 1N3021-51550 | 19 | 5 |
| 1N3021-51560 | 19 | 6 |
| 1N3021-52300 | 19 | 10 |
| 1N3021-73201 | 23 | 3 |
| 1N3021-91100 | 26 | 5 |
| 1N3021-91110 | 26 | 6 |
| 1N3260-73250 | 14 | 12 |
| 1N3300-00050-1 | 1 | 1 |
| 1N3300-11080 | 2 | 3 |
| 1N3300-12000-1 | 3 | 1 |
| 1N3300-12010-1 | 3 | 11 |
| 1N3300-12050-1 | 3 | 5 |
| 1N3300-12101-1 | 3 | 2 |
| 1N3300-12150-1 | 3 | 3 |
| 1N3300-12201-1 | 3 | 12 |
| 1N3300-12300 | 3 | 13 |
| 1N3300-21000 | 4 | 1 |
| 1N3300-21201-1 | 4 | 3 |
| 1N3300-21300 | 4 | 6 |
| 1N3300-21310 | 4 | 7 |
| 1N3300-21321 | 4 | 8 |
| 1N3300-21400-1 | 4 | 9 |
| 1N3300-21450-1 | 4 | 10 |
| 1N3300-22001-1 | 5 | 1 |
| 1N3300-22100-1 | 5 | 2 |

| PARTS No. | Fig. | Ref.No. |
|----------------|------|---------|
| 1N3300-22170 | 5 | 4 |
| 1N3300-22210 | 5 | 5 |
| 1N3300-23000 | 6 | 2 |
| 1N3300-23050 | 6 | 3 |
| 1N3300-23090 | 6 | 4 |
| 1N3300-23180 | 6 | 6 |
| 1N3300-23200 | 6 | 7 |
| 1N3300-23300 | 6 | 8 |
| 1N3300-25000-1 | 6 | 21 |
| 1N3300-25100 | 6 | 22 |
| 1N3300-31400 | 10 | 16 |
| 1N3300-31500 | 10 | 19 |
| 1N3300-32300 | 12 | 2 |
| 1N3300-32500-1 | 12 | 3 |
| 1N3300-34201 | 13 | 5 |
| 1N3300-36100-1 | 15 | 2 |
| 1N3300-36200-1 | 15 | 3 |
| 1N3300-37100-1 | 16 | 3 |
| 1N3300-38000-1 | 17 | 1 |
| 1N3300-38101 | 17 | 2 |
| 1N3300-38200 | 17 | 3 |
| 1N3300-38250 | 17 | 4 |
| 1N3300-51010 | 18 | 1 |
| 1N3300-51100 | 18 | 2 |
| 1N3300-51150 | 18 | 3 |
| 1N3300-51200 | 18 | 4 |
| 1N3300-51250 | 18 | 5 |
| 1N3300-51300 | 18 | 6 |
| 1N3300-51350 | 18 | 8 |
| 1N3300-51400 | 19 | 2 |
| 1N3300-51451-1 | 19 | 14 |
| 1N3300-51480 | 20 | 2 |
| 1N3300-51552-1 | 19 | 9 |
| 1N3300-71000 | 21 | 2 |
| 1N3300-71100 | 21 | 15 |
| 1N3300-71301-1 | 22 | 13 |
| 1N3300-71320 | 22 | 14 |
| 1N3300-71330 | 22 | 15 |
| 1N3300-71401-1 | 21 | 5 |
| 1N3300-71551 | 22 | 10 |
| 1N3300-73202-1 | 23 | 14 |
| 1N3300-75001-1 | 25 | 1 |
| 1N3300-75101-1 | 25 | 2 |
| 1N3300-91300 | 26 | 8 |
| 1N3300-96100 | 28 | 4 |
| 1N3310-02150 | 1 | 25 |
| 1N3320-71290 | 9 | 3 |
| 1N3330-31350 | 10 | 15 |
| 1N3330-32090 | 11 | 3 |
| 1N3330-34651 | 14 | 6 |

| PARTS No. | Fig. | Ref.No. |
|----------------|------|---------|
| 1N3330-34700 | 14 | 7 |
| 1N3330-75200-1 | 25 | 3 |
| 1N3331-34050 | 13 | 4 |
| 1N3335-32050 | 11 | 2 |
| 1N3335-32090-1 | 11 | 4 |
| 1N3360-32000 | 11 | 1 |
| 1N3370-31200 | 10 | 2 |
| 1N3370-31300 | 10 | 3 |
| 1N3370-31450 | 10 | 4 |
| 1N3370-31700-1 | 10 | 21 |
| 1N3370-34000 | 13 | 3 |
| 1N3370-74200 | 24 | 16 |
| 1N3370-76000-1 | 25 | 12 |
| 1N3390-02100-1 | 1 | 24 |
| 1N3390-30000-1 | 7 | 1 |
| 1N3390-31000-1 | 9 | 1 |
| 1N3390-31050-1 | 9 | 2 |
| 1N3390-37100-1 | 11 | 11 |
| 1N3390-32400-1 | 11 | 12 |
| 1N3390-34530 | 14 | 4 |
| 1N3390-34600 | 14 | 5 |
| 1N3390-51000 | 19 | 4 |
| 1N3390-73300 | 23 | 16 |
| 1N3390-73350 | 23 | 17 |
| 1N3390-91070 | 27 | 1 |
| 1N3390-91080 | 26 | 4 |
| 1N3390-91090 | 26 | 9 |
| 1N3390-92670 | 27 | 2 |
| 1N3390-92680 | 27 | 3 |
| 1N3390-92690 | 27 | 4 |
| 1N3390-92700 | 27 | 5 |
| 1N3400-22150 | 5 | 3 |
| 1N3400-30100 | 7 | 2 |
| 1N3400-32300 | 12 | 2 -1 |
| 1N3400-32301 | 12 | 2 -2 |
| 1N3400-51450 | 20 | 1 |
| 1N3400-91260 | 26 | 7 |
| 1N3440-11000 | 2 | 1 |
| 1N3440-11050 | 2 | 2 |
| 1N3440-11100 | 2 | 4 |
| 1N3440-11270 | 2 | 7 |
| 1N3810-11200 | 2 | 5 |
| 1N3810-11250 | 2 | 6 |
| 1N3810-11300 | 2 | 8 |
| 1N3810-31600 | 10 | 5 |
| 1N3810-31650 | 10 | 6 |
| 1N3820-32200 | 12 | 1 |
| 1N3820-34350 | 14 | 1 |
| 1N3820-34500 | 14 | 3 |
| 1N3820-36000 | 15 | 1 |

MODEL : YSR90W(
PC NO : 0CNP4-G48100

PARTS No. INDEX

| PARTS No. | Fig. | Ref.No. |
|----------------|------|---------|
| 1N3820-74100 | 24 | 11 |
| 1N3820-91050 | 26 | 3 |
| 1S6000-61220 | 4 | 11 |
| 7N3390-30290-1 | 8 | 1 |
| 7N3390-73000 | 23 | 2 |
| 7N3405-71500 | 22 | 9 |
| 7N3810-37000 | 16 | 1 |

| PARTS No. | Fig. | Ref.No. |
|-----------|------|---------|
|-----------|------|---------|

| PARTS No. | Fig. | Ref.No. |
|-----------|------|---------|
|-----------|------|---------|

| PARTS No. | Fig. | Ref.No. |
|-----------|------|---------|
|-----------|------|---------|



YANMAR CO., LTD.